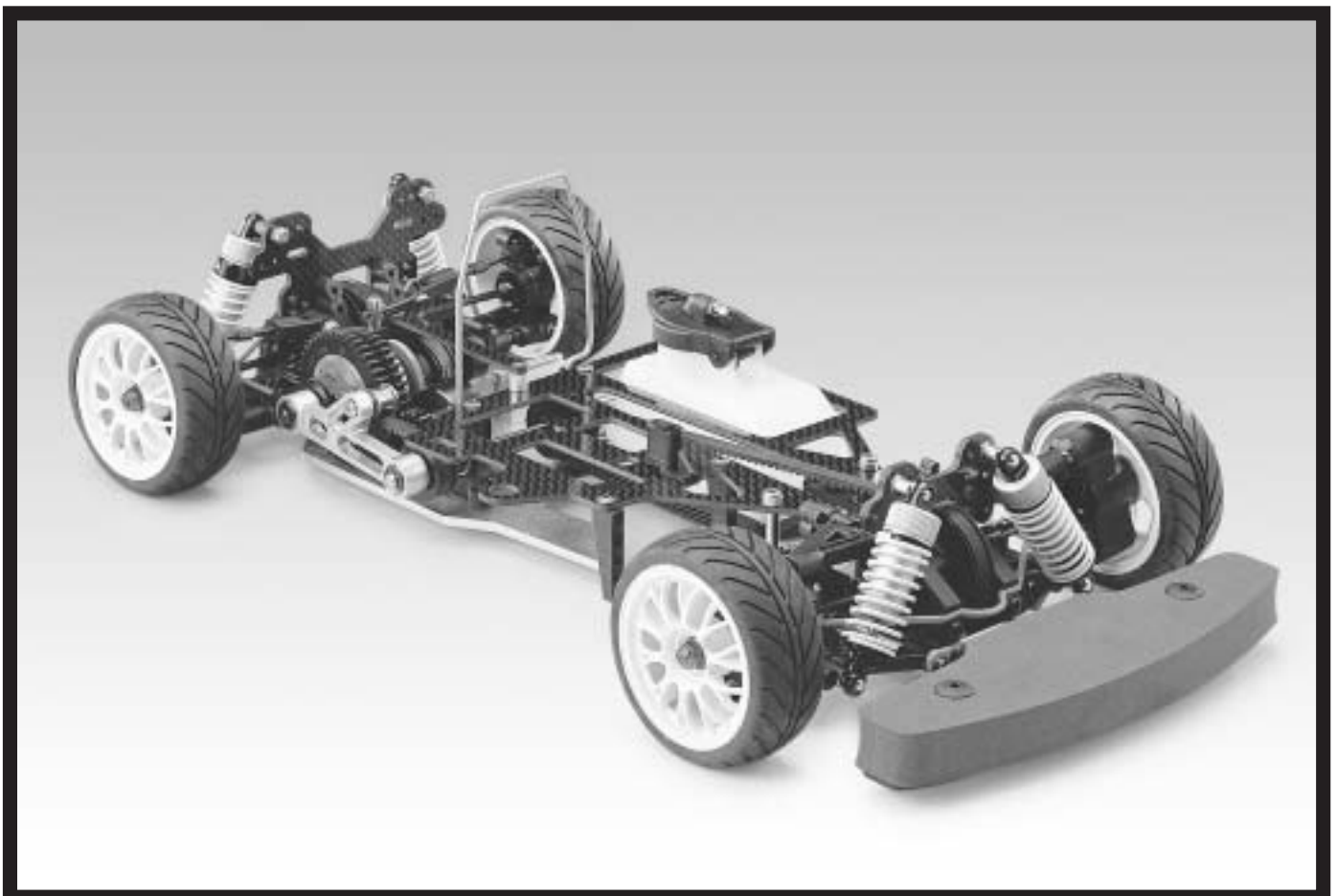




# **TSG PRO**

**1/10 SCALE NITRO-POWERED TOURING CAR**



## **INSTRUCTION MANUAL**

JD0369. V4

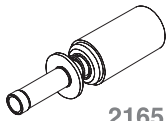
### **WARRANTY**

Thunder Tiger Corporation guarantees this model kit to be free from defects in both material and workmanship. The total monetary value under warranty will in no case exceed the cost of the original kit purchased. This warranty does not cover any components damaged by use or modification. Part or parts missing from this kit must be reported within 14 days of purchase. No part or parts will be sent under warranty without proof of purchase. To receive part or parts under warranty, the service center must receive a proof of purchase and/or the defective part or parts. Should you find a defective or missing part, contact the authorized Thunder Tiger Service/Distributor nearest you. Under no circumstances can a dealer or distributor accept return of a kit if assembly has started.

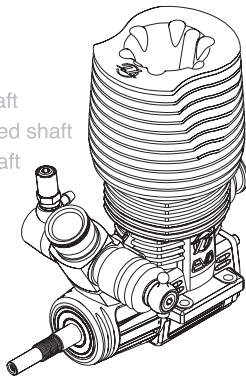
# ITEMS REQUIRED FOR OPERATION

## ENGINE RECOMMENDED:

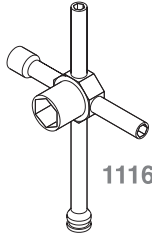
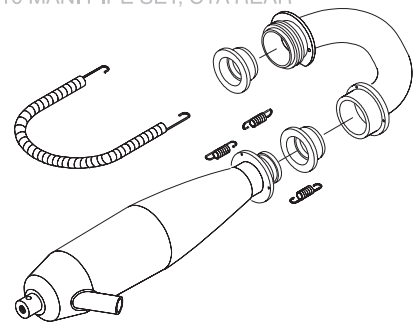
- 9460 EVO-12 side exhaust, SG shaft
- 9464 EVO-12 (TH) side exhaust, threaded shaft
- 9468 EVO-12R rear exhaust, SG shaft



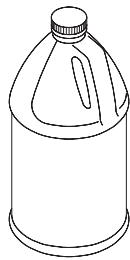
- 2165 1300MAH GLOW STARTER W/220V CHG
- 2166 1300MAH GLOW STARTER W/110V CHG



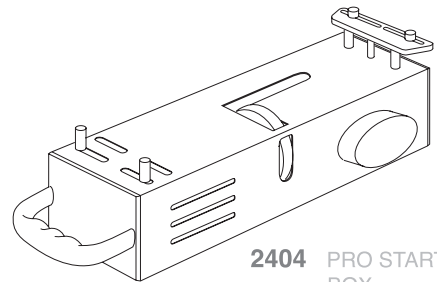
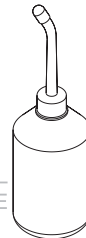
- PD1220 1/10 MANI PIPE SET, C1A SIDE
- PD1221 1/10 MANI PIPE SET, C1A REAR



1116 WRENCH, 5-WAY SOCKET

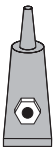


1261 QUICK FILL FUEL BOTTLE  
MODEL ENGINE FUEL  
15% ~ 30% NITRO

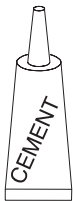


2404 PRO STARTER BOX

## LIQUID AGENTS



Thread Locking Glue



Plastic / Rubber Cement



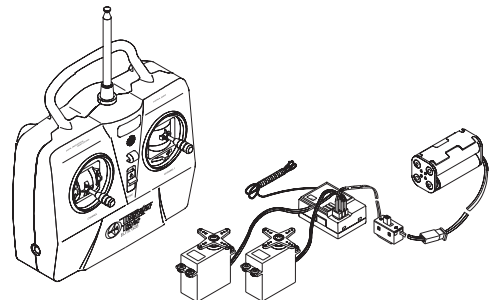
CA Glue



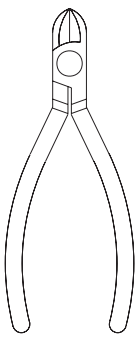
Silicone Oil  
for differentials & shocks

## 2CH SURFACE RADIO

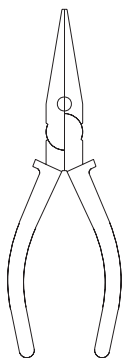
- FM/PCM recommended
- 6.0V Rx battery pack recommended
- Hi-Speed, Hi-Torque servos recommended



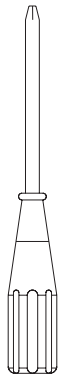
## TOOLS



Wire Cutter



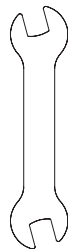
Needle Nose Pliers



Phillips Screw Driver

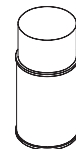


Hobby Knife



Wrench  
4mm, 6mm, 8mm

## PAINT





Lexan Specific  
Spray Paint

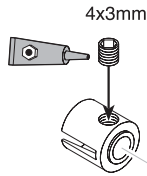
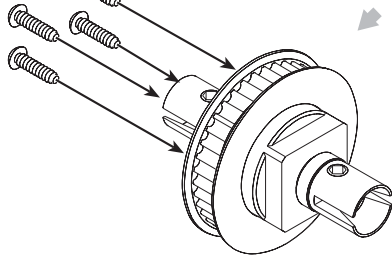
# WARNING

This kit, its parts, and its construction tools can be deadly weapons. Always exercise extreme caution when using this product. Improper operations may cause personal and/or property damage. Thunder Tiger Corporation and its distributors have no control over damages resulting from shipping, improper construction, or improper usage. Thunder Tiger Corporation assumes and accepts no responsibility for personal and/or property damages resulting from the use of improper building materials, equipment, and operations. By the act of assembling this product, the user accepts all resulting liability. If the buyer is not prepared to accept this liability, then he/she should return this kit in new, unassembled, and unused condition to the place of purchase.

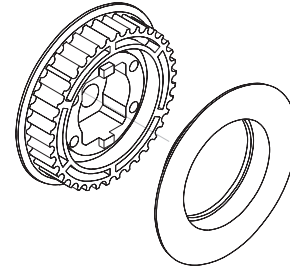
**A**  
bag

-  2x10mm
-  4x3mm

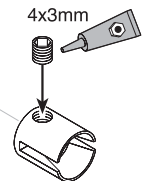
2x10mm (4)



SHAFT TIP DRAWN FOR VISUALIZATION PURPOSE ONLY

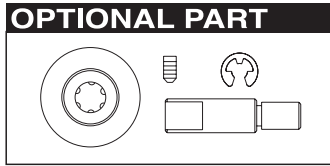


SHAFT TIP DRAWN FOR VISUALIZATION PURPOSE ONLY

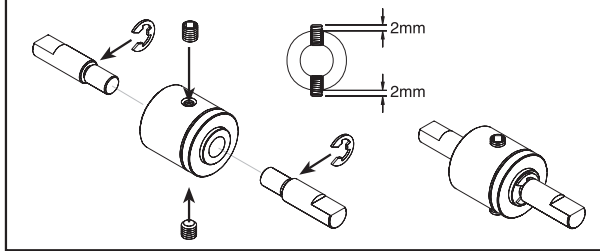


**FRONT**

**OPTIONAL FR ONE-WAY ASSEMBLY**

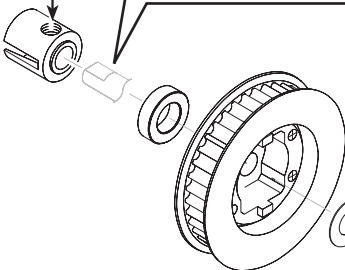


PD0910 FRONT ONE-WAY DIFFERENTIAL

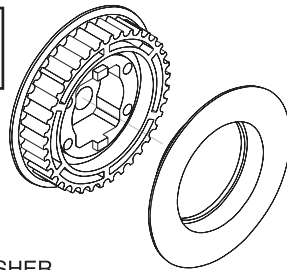


4x3mm

SHAFT TIP DRAWN FOR VISUALIZATION PURPOSE ONLY

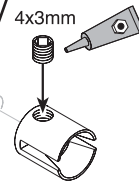


0.2MM WASHER



SHAFT TIP DRAWN FOR VISUALIZATION PURPOSE ONLY

0.2MM WASHER



2x10mm (4)

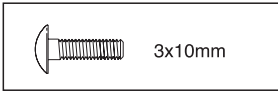
**REAR**

500 MORE TRACTION  
OR USE GREASE ON GEAR SURFACE



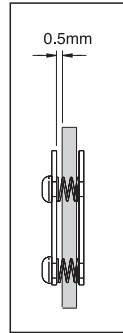
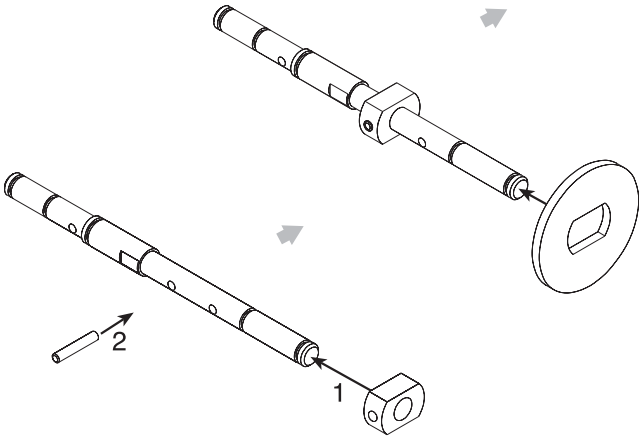
1000 STANDARD  
3000 LESS TRACTION

**B**  
bag

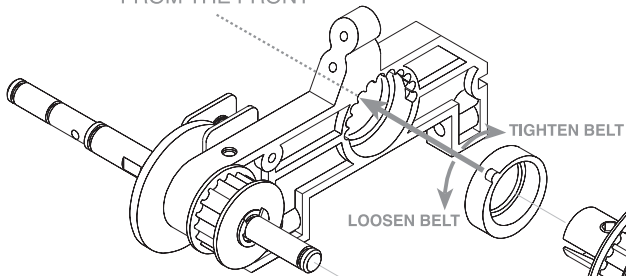


3x10mm (2)

R



FOURTH HOLE FROM THE FRONT



REAR DIFF

177T BELT

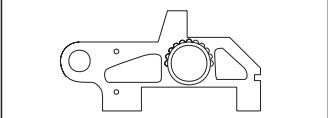
INSTALL E-CLIP AFTER LEFT BULKHEAD & BEARING HAVE BEEN ASSEMBLED ONTO SHAFT.

TIGHTEN BELT

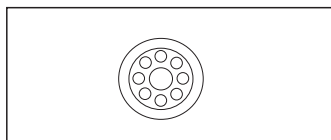
LOOSEN BELT

L

OPTIONAL PART






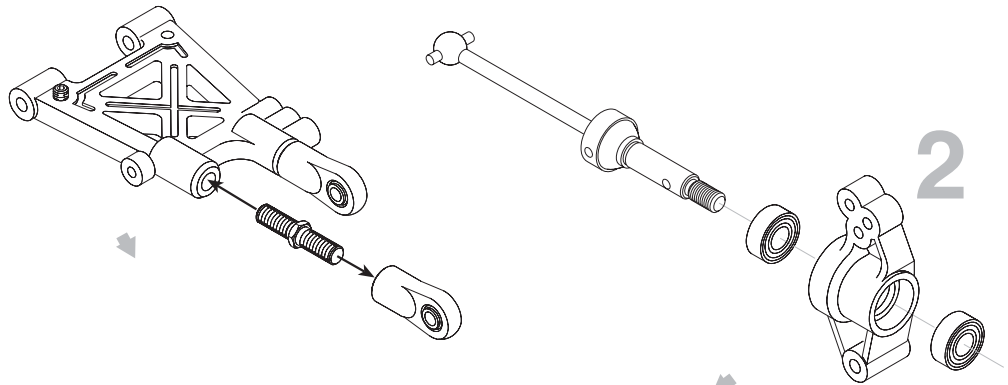
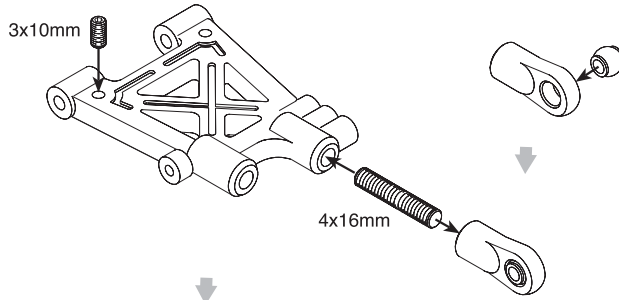
PD1292 ALUM RR BULKHEAD



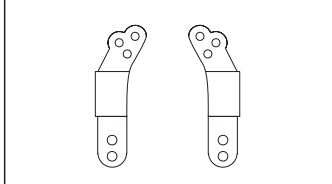
PD1328 ALUM DRIVE PULLEY, 18T

**B**  
bag

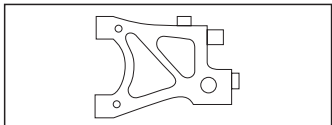
-  3x10mm
-  4x6mm
-  4x16mm



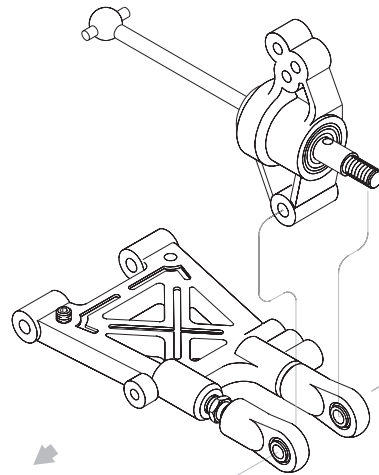
**OPTIONAL PART**



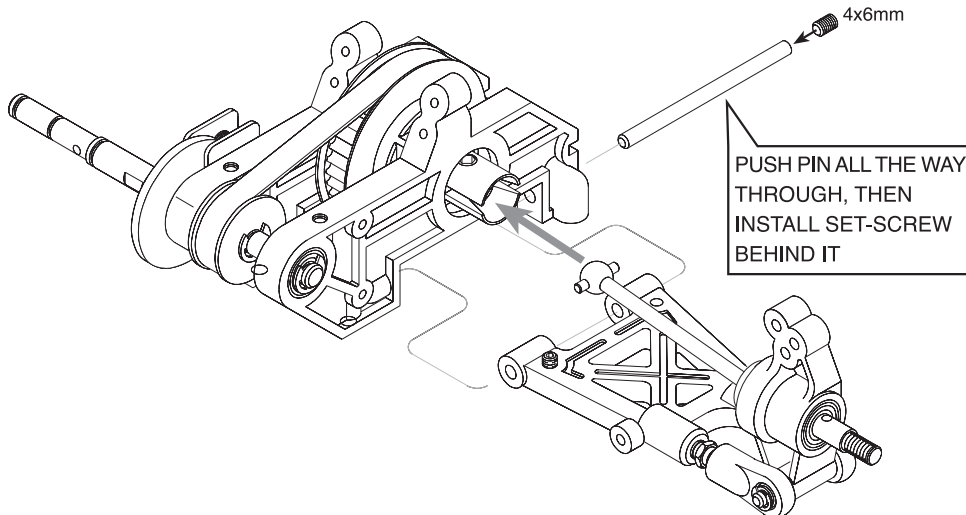
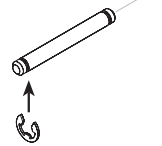
PD1287 ALUM RR HUB CARRIER



PD1288 ALUM RR LOWER ARM



PIN TIP DRAWN FOR VISUALIZATION PURPOSE ONLY



**OPTIONAL PART**



PD0914 TITANIUM TURNBUCKLE, 4X21MM




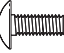
PD1336 CARBIDE RR HUB PIN

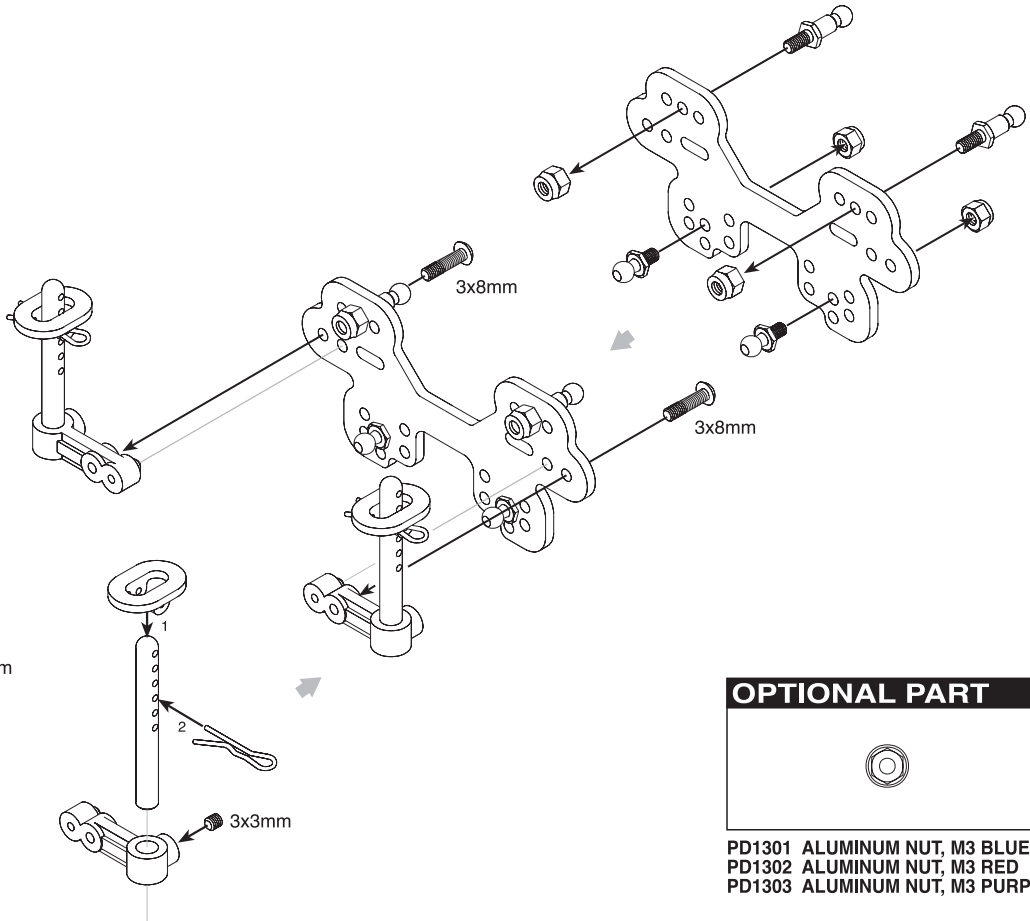
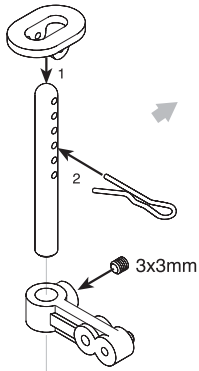


PD1337 CARBIDE RR LOWER PIN

# B

bag

-  3x3mm
-  3x8mm






**OPTIONAL PART**



- PD1301 ALUMINUM NUT, M3 BLUE
- PD1302 ALUMINUM NUT, M3 RED
- PD1303 ALUMINUM NUT, M3 PURPLE

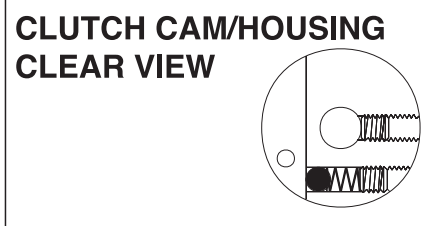
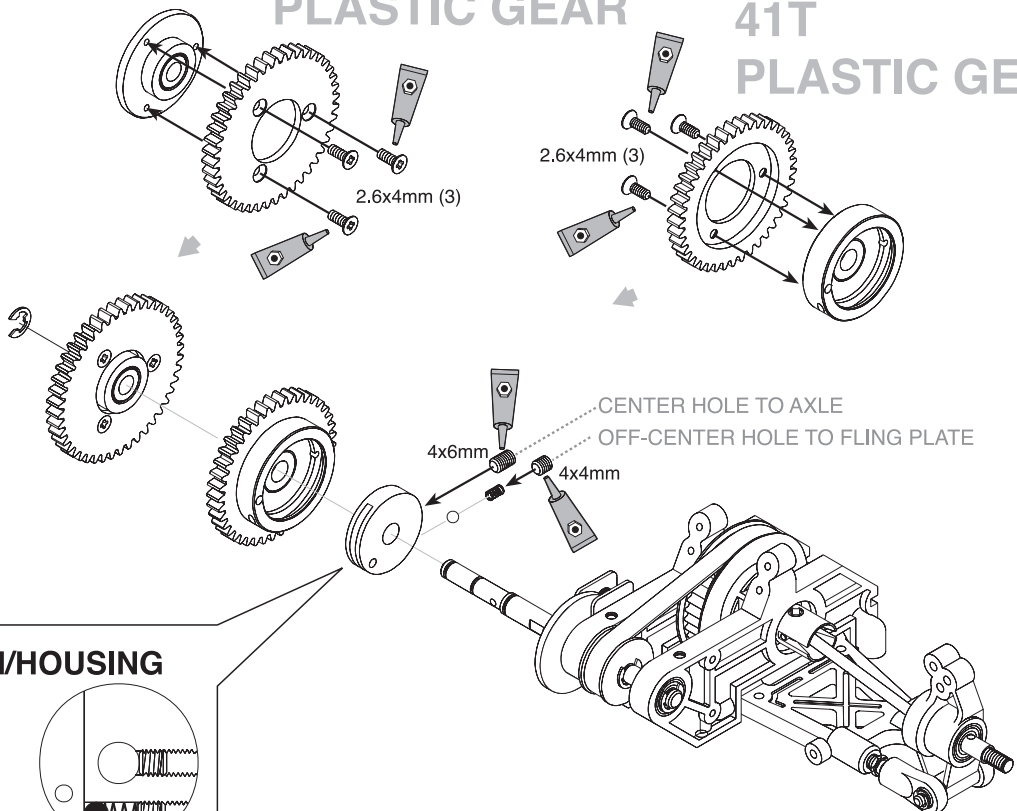
# C

bag

-  4x4mm
-  4x6mm
-  2.6x4mm

## 44T PLASTIC GEAR

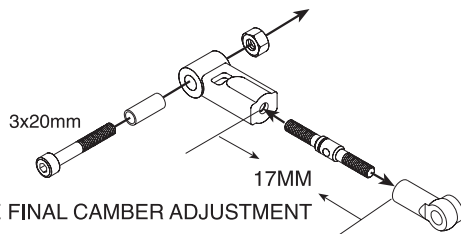
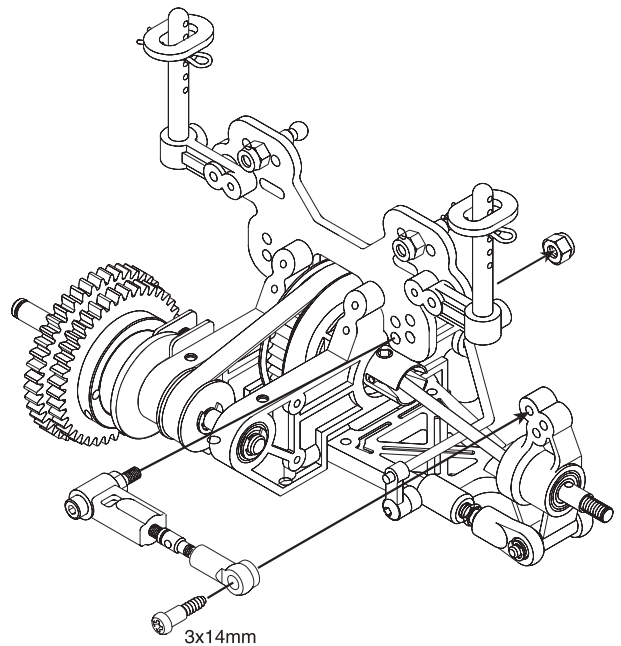
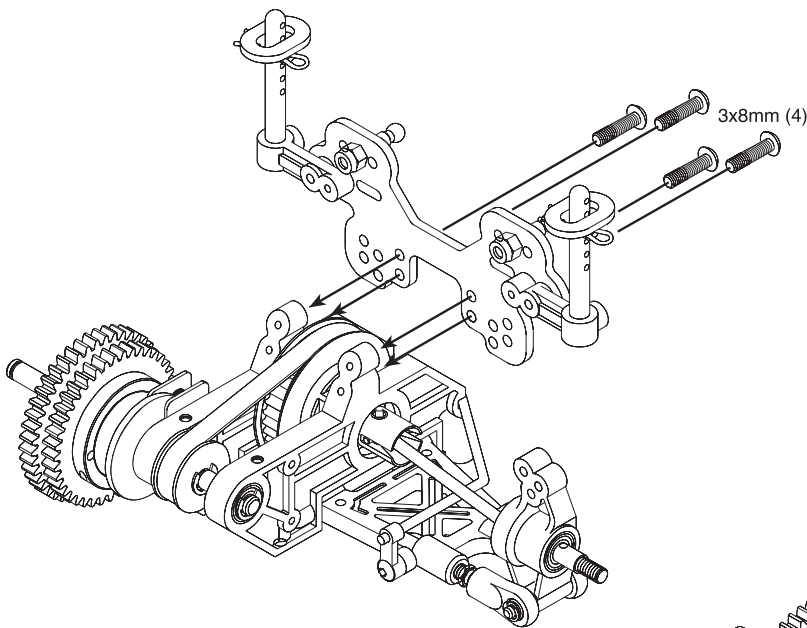
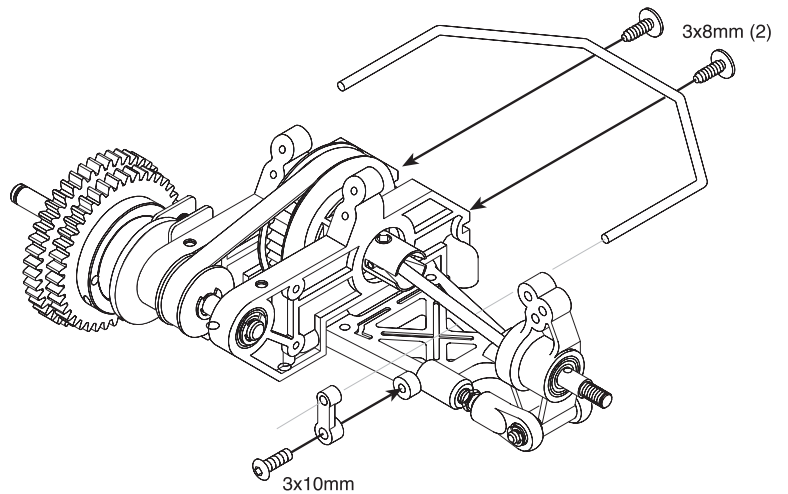
## 41T PLASTIC GEAR







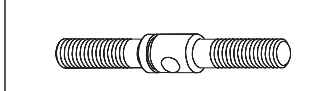
- 3x8mm
- 3x14mm
- 3x8mm
- 3x10mm
- 3x20mm



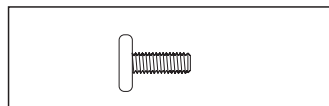
MAKE FINAL CAMBER ADJUSTMENT AFTER INSTALLATION IS COMPLETE

LOCATED IN BAG I ON SHOCK PLASTIC TREE, #15 & #16

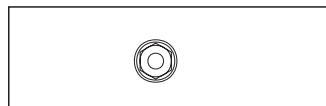
**OPTIONAL PART**



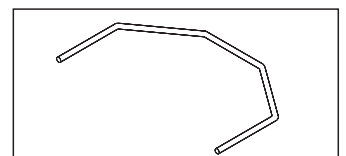
PD0916 TITANIUM TURNBUCKLE, 3X33MM



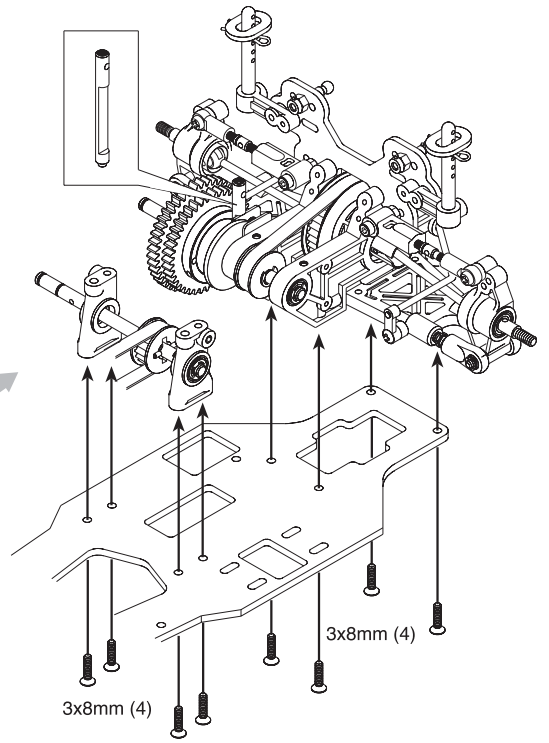
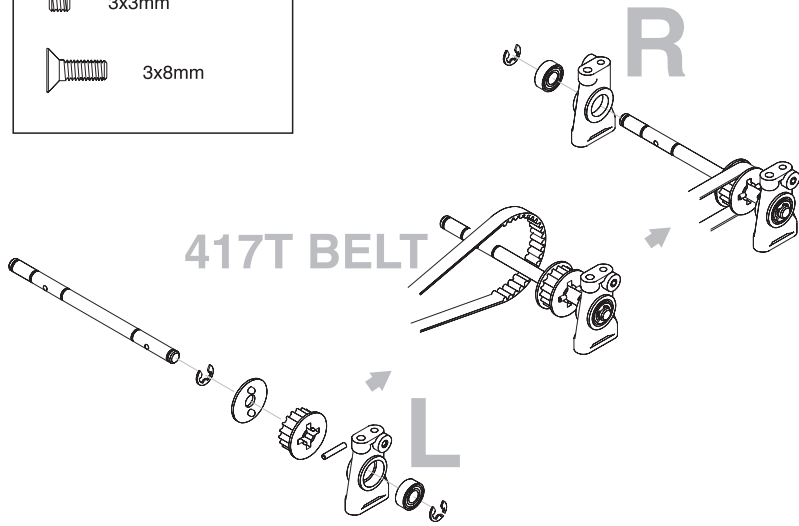
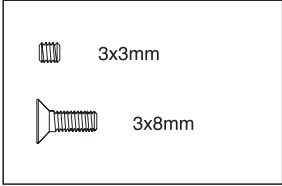
PD1195 FLAT HEAD SOCKET SCREW, 3X5MM  
PD0895 FLAT HEAD SOCKET SCREW, 3X8MM  
PD0779 FLAT HEAD SOCKET SCREW, 3X12MM



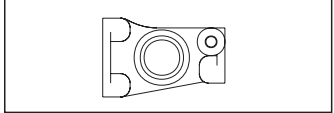
PD1301 ALUMINUM NUT, M3 BLUE  
PD1302 ALUMINUM NUT, M3 RED  
PD1303 ALUMINUM NUT, M3 PURPLE



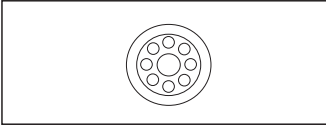
PD0908 RR SWAY BAR, 2.2MM GRN  
PD0909 RR SWAY BAR, 2.4MM PPL



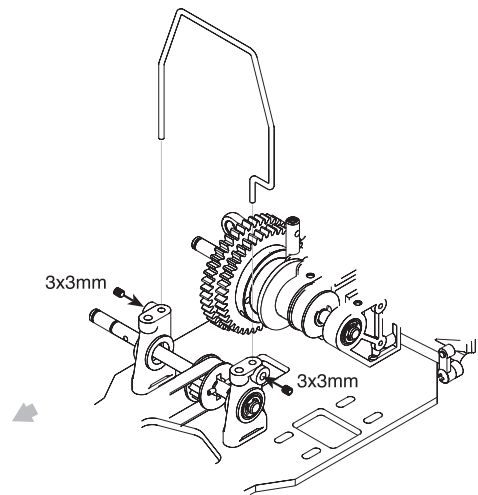
OPTIONAL PART



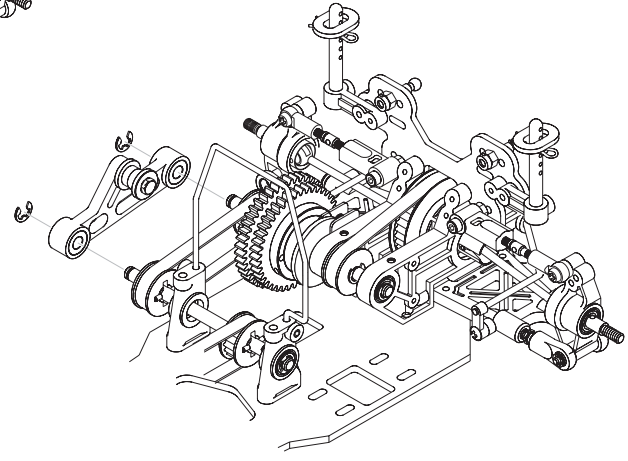
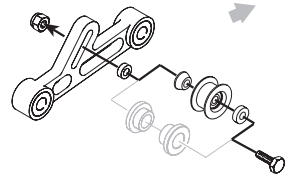
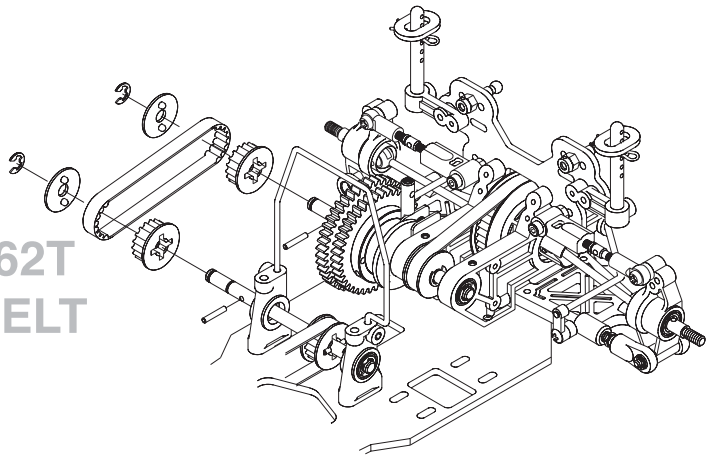
PD1293 ALUM CENTER AXLE SUPPORT



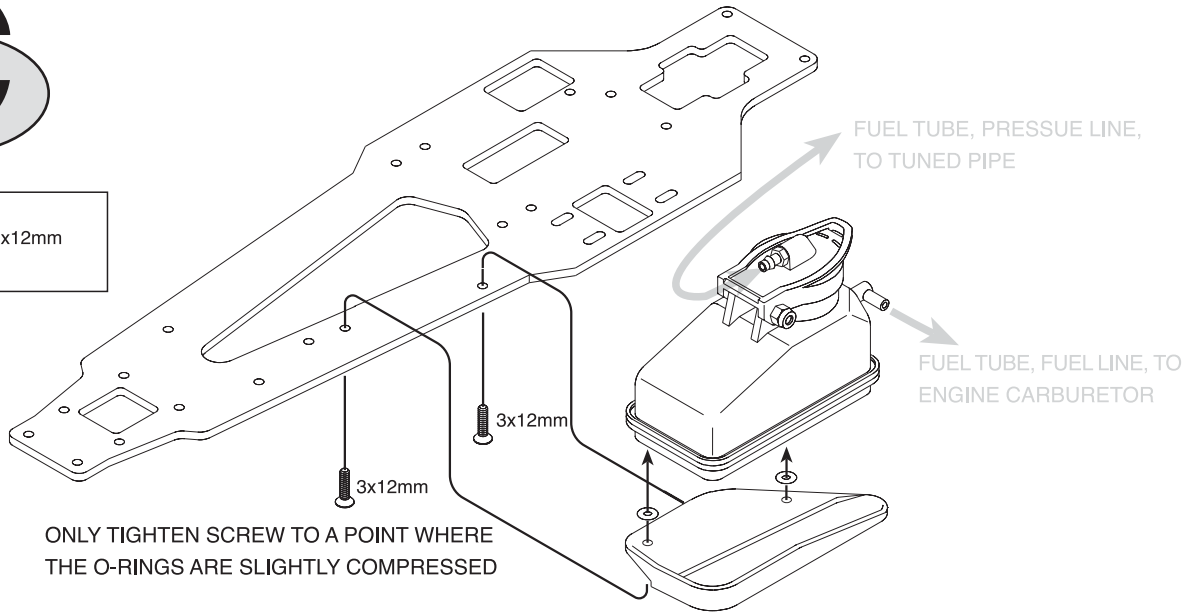
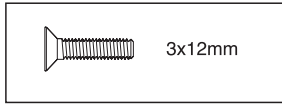
PD1328 ALUM DRIVE PULLEY, 18T



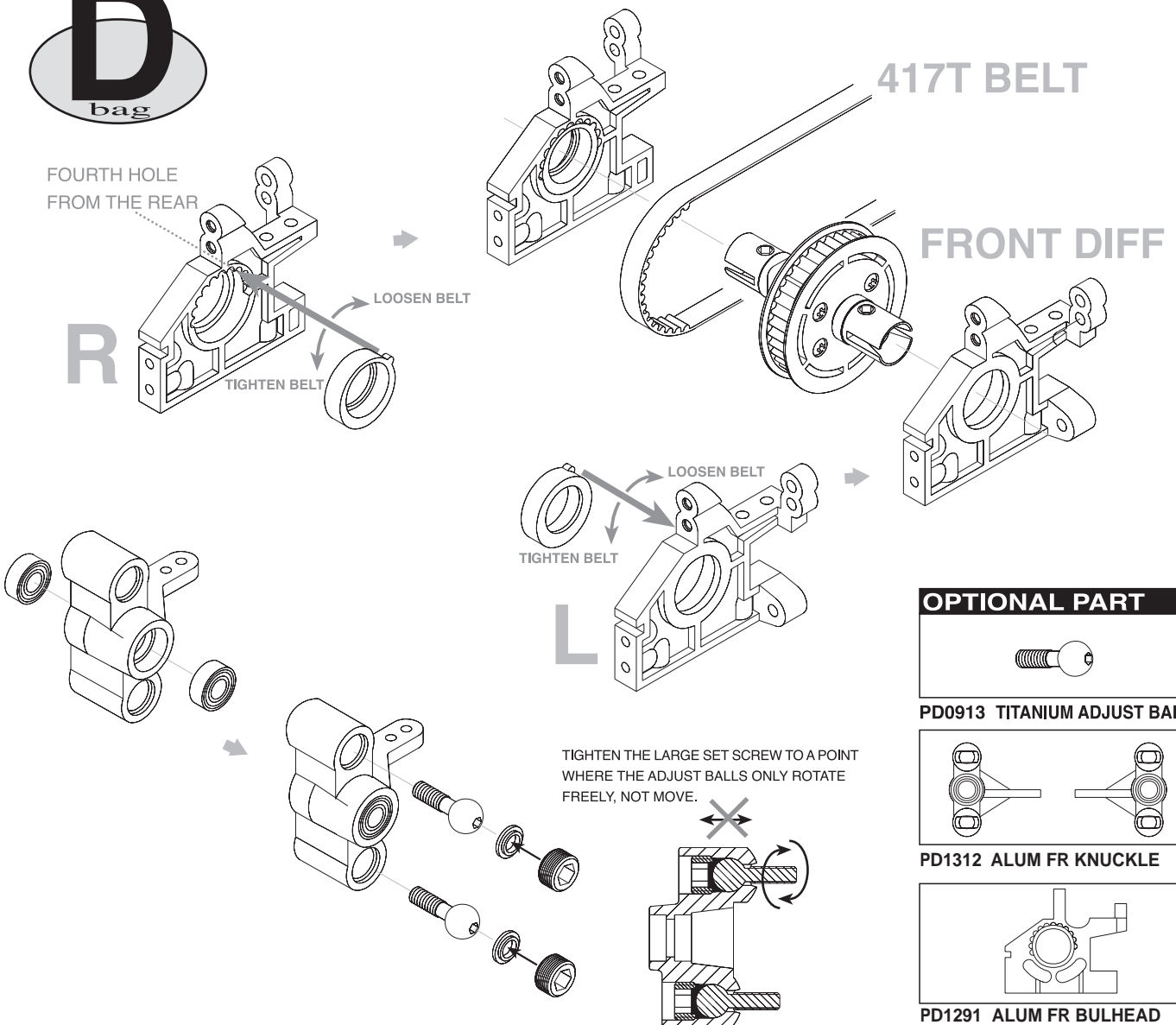
162T BELT




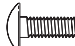
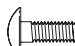






FOURTH HOLE FROM THE REAR



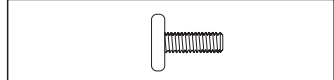
**D**  
bag

-  3x8mm
-  3x8mm
-  3x10mm
-  3x3mm
-  3x10mm

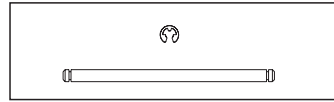
**OPTIONAL PART**



- PD1301 ALUMINUM NUT, M3 BLUE
- PD1302 ALUMINUM NUT, M3 RED
- PD1303 ALUMINUM NUT, M3 PURPLE

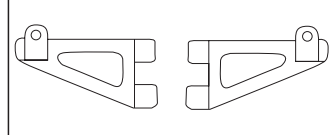


- PD1195 FLAT HEAD SOCKET SCREW, 3X5MM
- PD0895 FLAT HEAD SOCKET SCREW, 3X8MM
- PD0779 FLAT HEAD SOCKET SCREW, 3X12MM

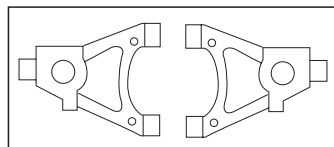


- PD1334 CARBIDE FR UPPER PIN
- PD1335 CARBIDE FR LOWER PIN

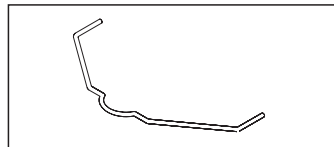
**OPTIONAL PART**



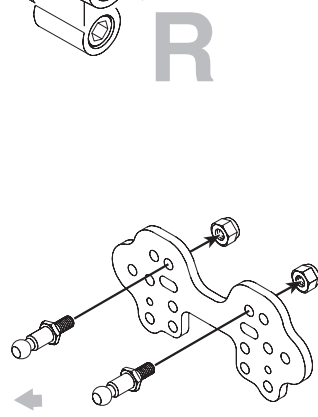
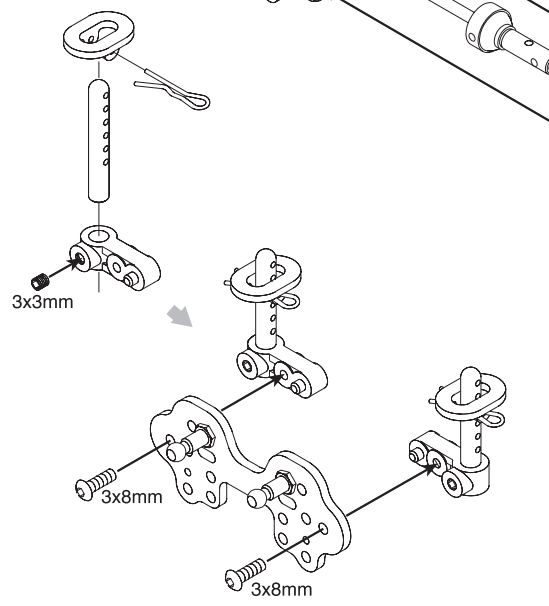
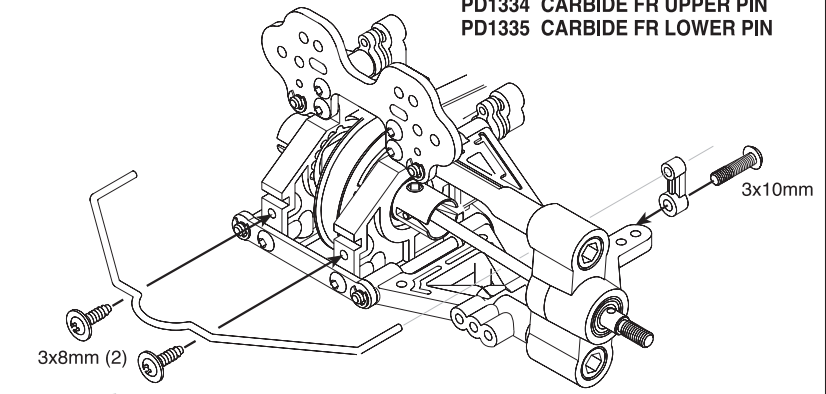
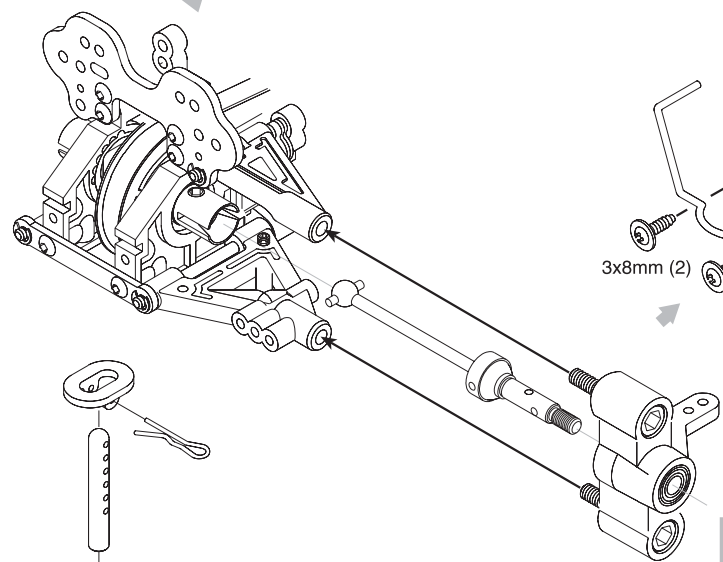
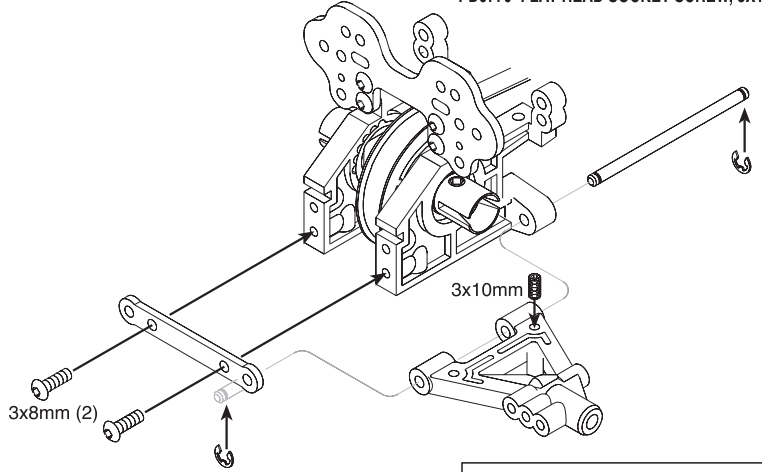
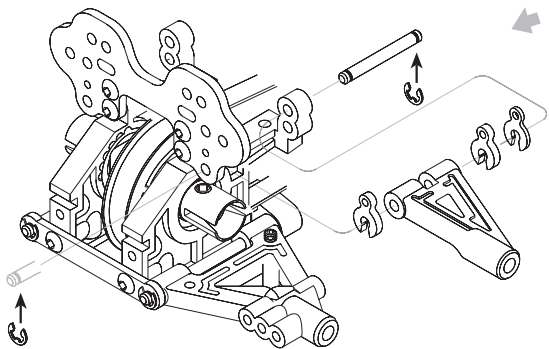
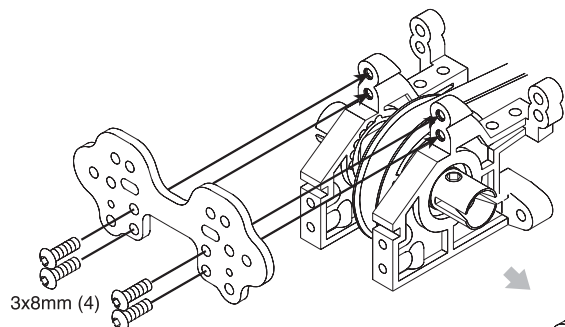
- PD1290 ALUM FR UPPER ARM



- PD1289 ALUM FR LOWER ARM


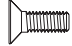


- PD0993 FR SWAY BAR, 1.8MM ORG
- PD0994 FR SWAY BAR, 2.0MM RED
- PD0995 FR SWAY BAR, 2.2MM GRN
- PD0907 FR SWAY BAR, 2.4MM PPL

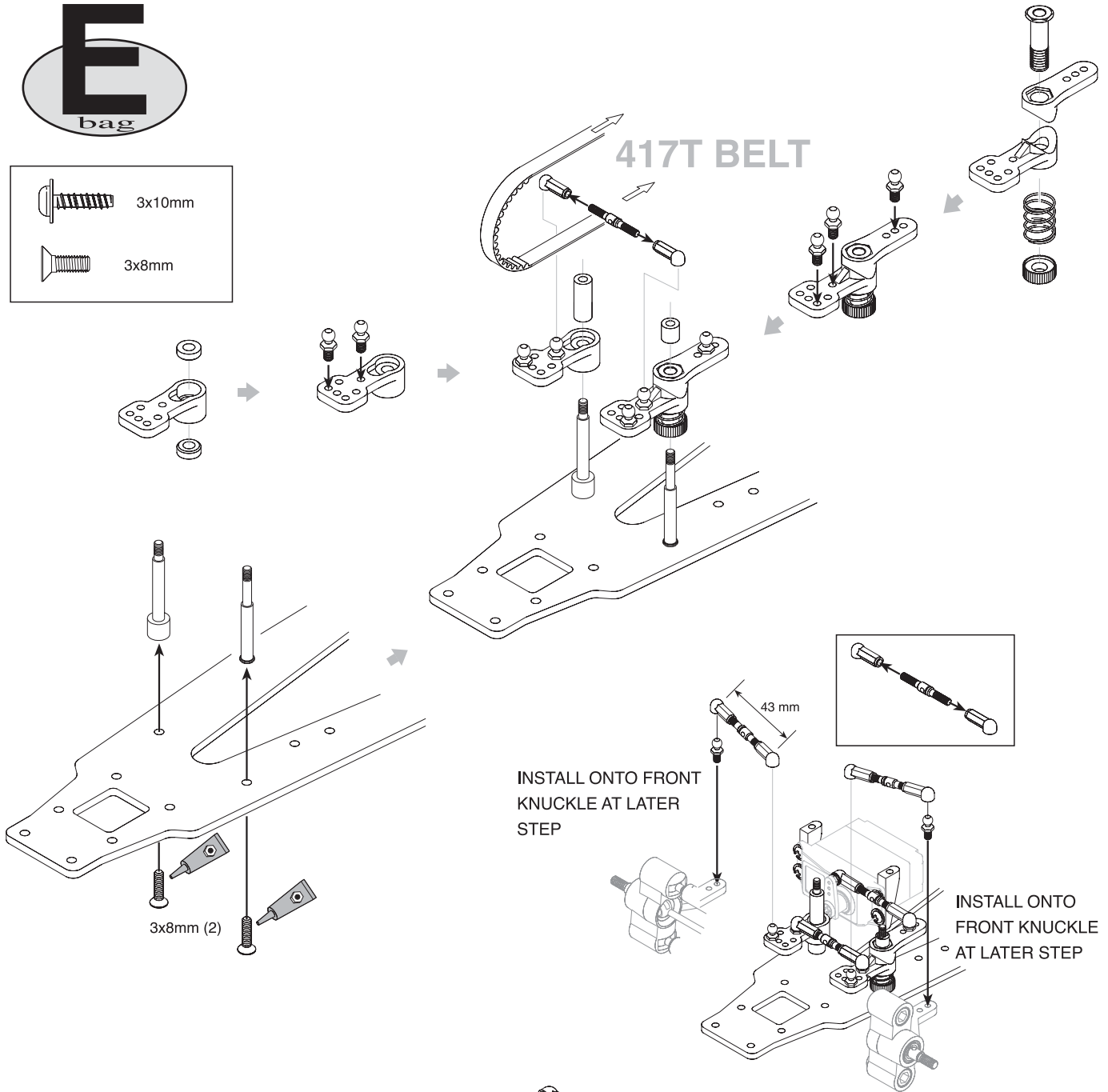


**R**

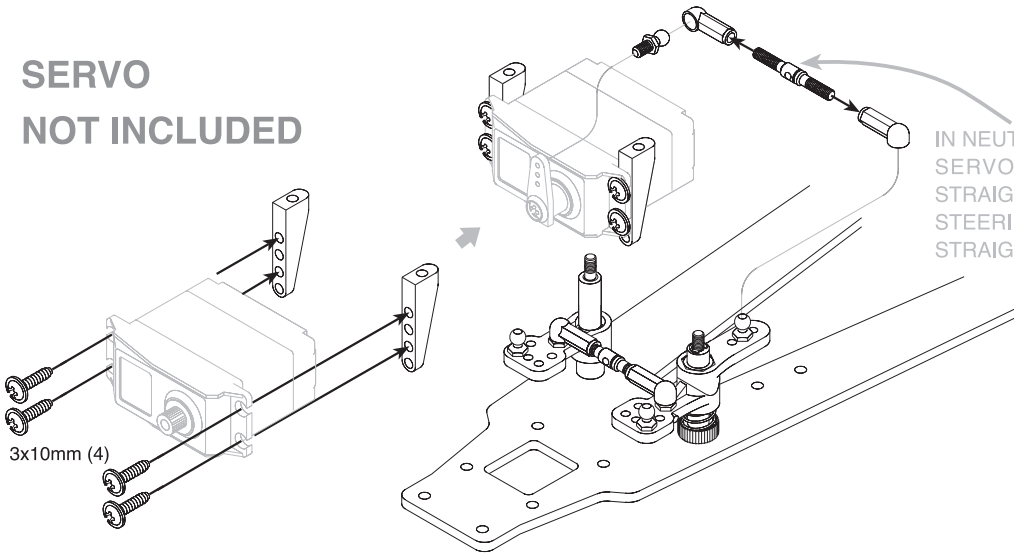
**E**  
bag

-  3x10mm
-  3x8mm

417T BELT



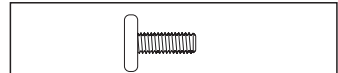
**SERVO NOT INCLUDED**



**OPTIONAL PART**



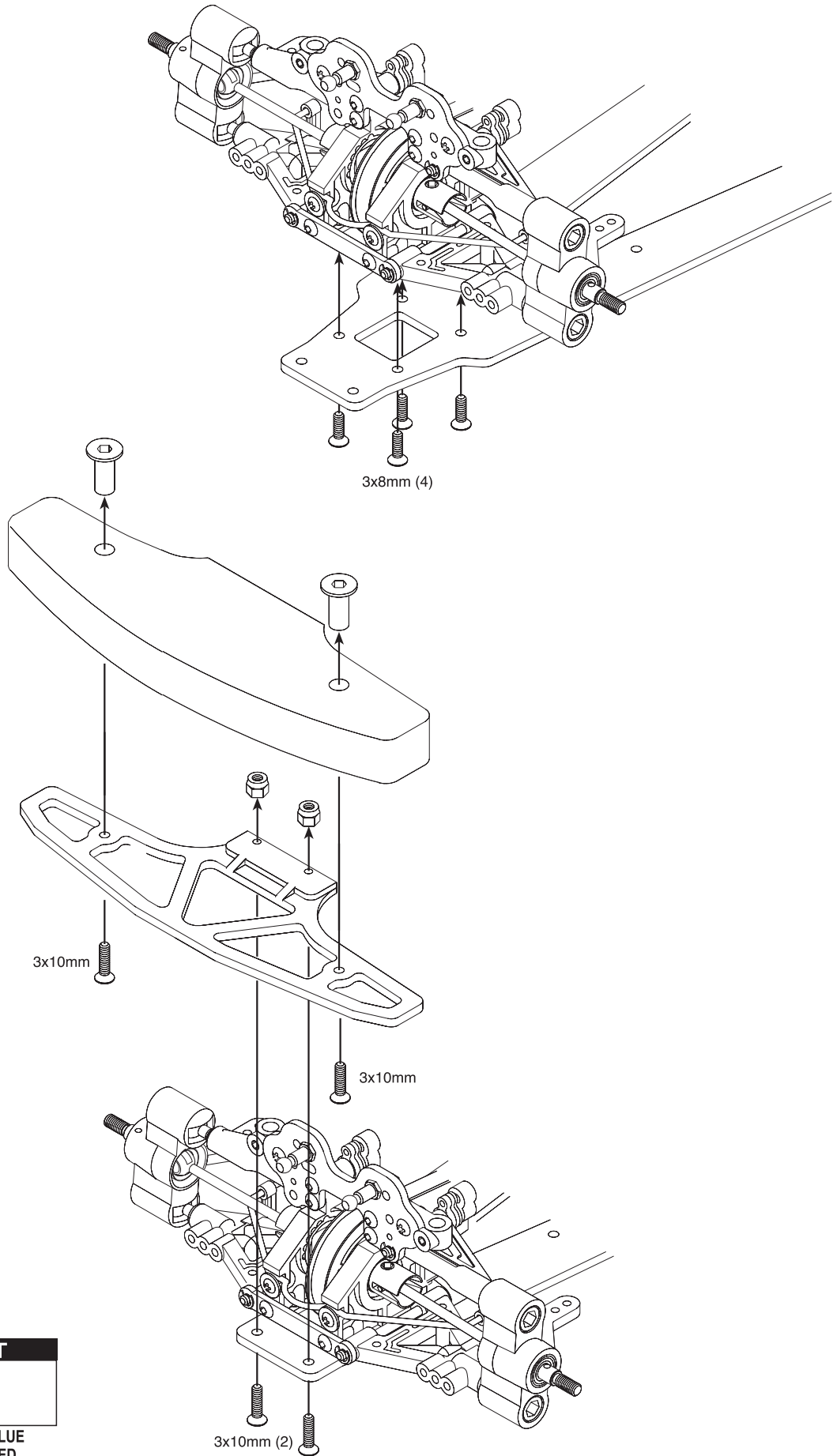
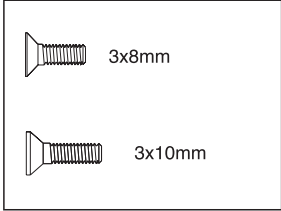
PD0915 TITANIUM TURNBUCKLE, 3X28MM



PD1195 FLAT HEAD SOCKET SCREW, 3X5MM

PD0895 FLAT HEAD SOCKET SCREW, 3X8MM

PD0779 FLAT HEAD SOCKET SCREW, 3X12MM



**OPTIONAL PART**



- PD1301 ALUMINUM NUT, M3 BLUE
- PD1302 ALUMINUM NUT, M3 RED
- PD1303 ALUMINUM NUT, M3 PURPLE

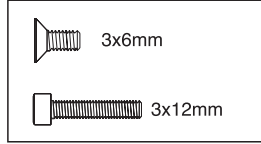


**ENGINE NOT INCLUDED**

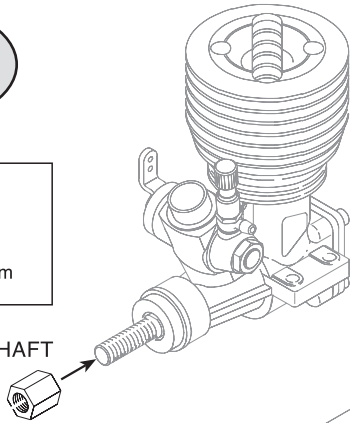
**ENGINE RECOMMENDED:**

- 9460** EVO-12 side exhaust, SG shaft
- 9464** EVO-12 (TH) side exhaust, threaded shaft
- 9468** EVO-12R rear exhaust, SG shaft

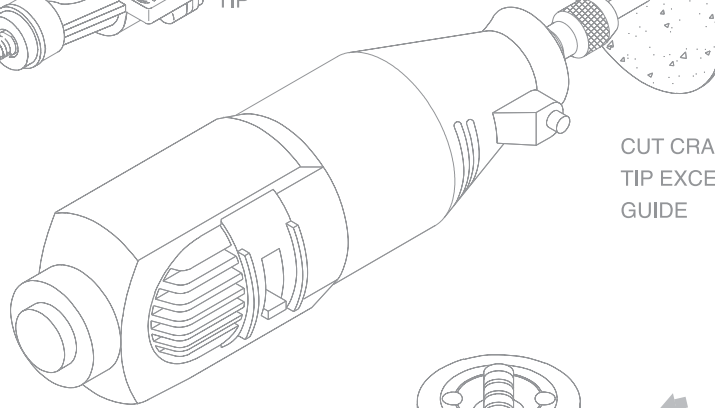
SKIP IF USING THUNDER TIGER ENGINE WITH SG TIP



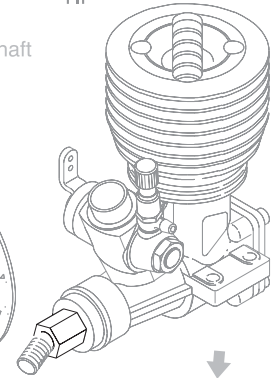
INSTALL CRANKSHAFT CUTTING GUIDE



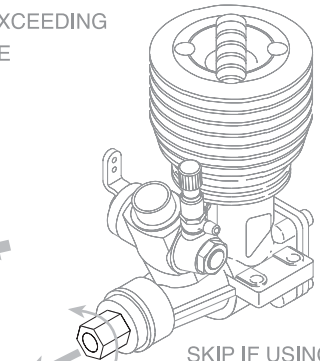
SKIP IF USING THUNDER TIGER ENGINE WITH SG TIP



CUT CRANKSHAFT TIP EXCEEDING GUIDE



REMOVE GUIDE



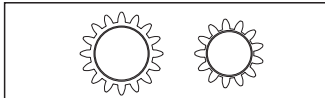
SKIP IF USING THUNDER TIGER ENGINE WITH SG TIP

**OPTIONAL PART**



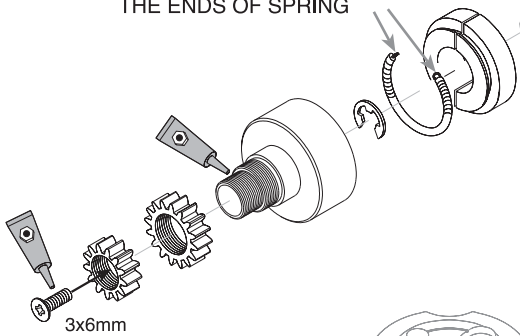
Thin, steel shims for adjusting play between clutch and clutch bell

- PD1057** WASHER 5x10x0.2MM
- PD1058** WASHER 5.5x11x0.2MM

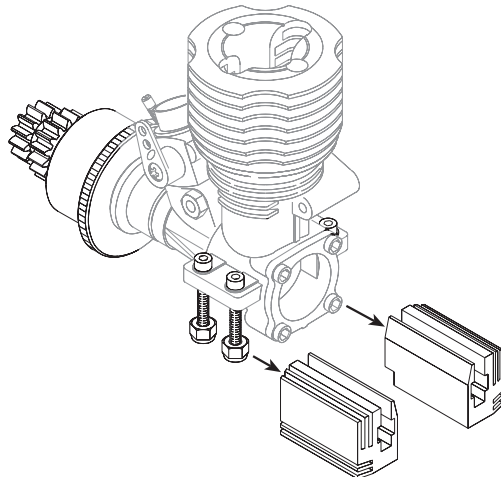
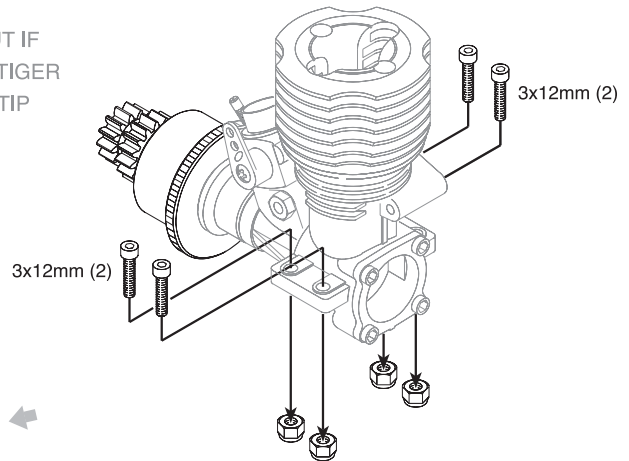


- PD1060** 2-SPEED GEAR 13T
- PD1344** 2-SPEED GEAR 14T
- PD1345** 2-SPEED GEAR 16T
- PD1346** 2-SPEED GEAR 17T

CONNECT END LOOPS AT THE ENDS OF SPRING



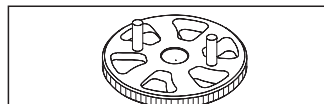
USE REGULAR NUT IF USING THUNDER TIGER ENGINE WITH SG TIP



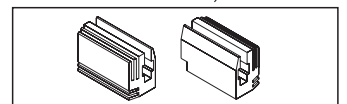
**OPTIONAL PART**



- PD1301** ALUMINUM NUT, M3 BLUE
- PD1302** ALUMINUM NUT, M3 RED
- PD1303** ALUMINUM NUT, M3 PURPLE



**PD0927** 1/10 FLYWHEEL, TYPE A

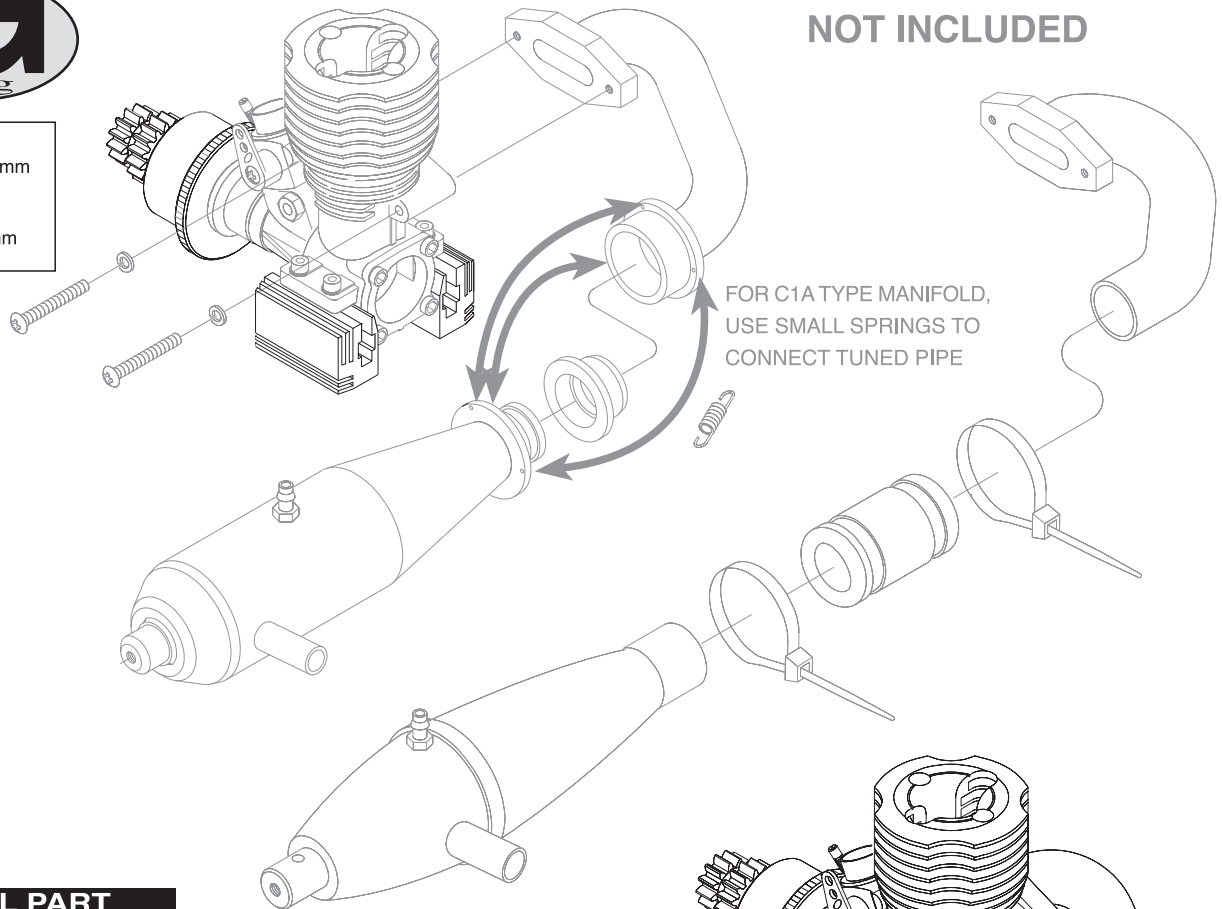
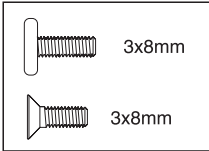


**PD1047** 1/10 ALUMINUM, HEAT-SINK ENGINE MOUNT, PULL START

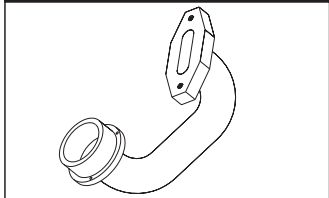




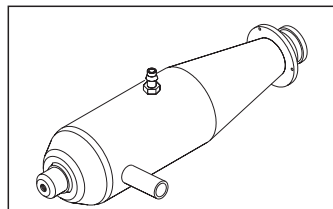
**EXHAUST SYSTEM NOT INCLUDED**



**OPTIONAL PART**



- PD1135 1/10 SIDE EXHAUST MANIFOLD, C1A
- PD1136 1/10 REAR EXHAUST MANIFOLD, C1A



PD1134 1/10 TUNED PIPE, C1A

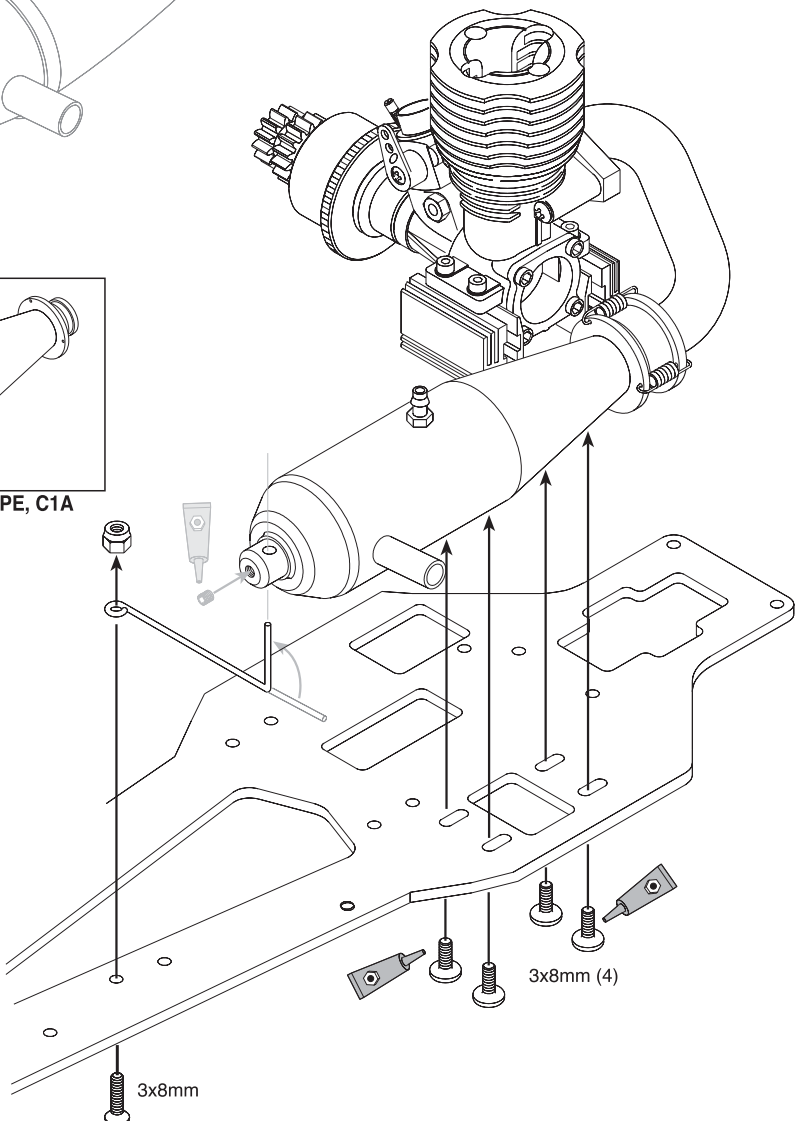
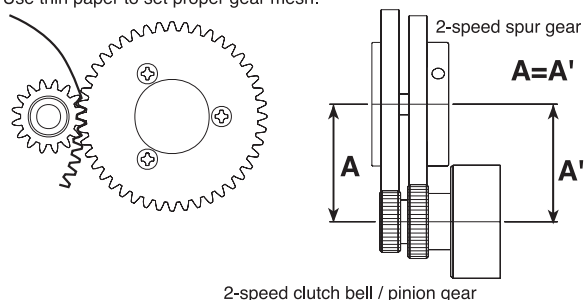


- PD0931 1/10 EXHAUST COUPLER, C1A
- PD0932 1/10 EXHAUST SPRING, C1A

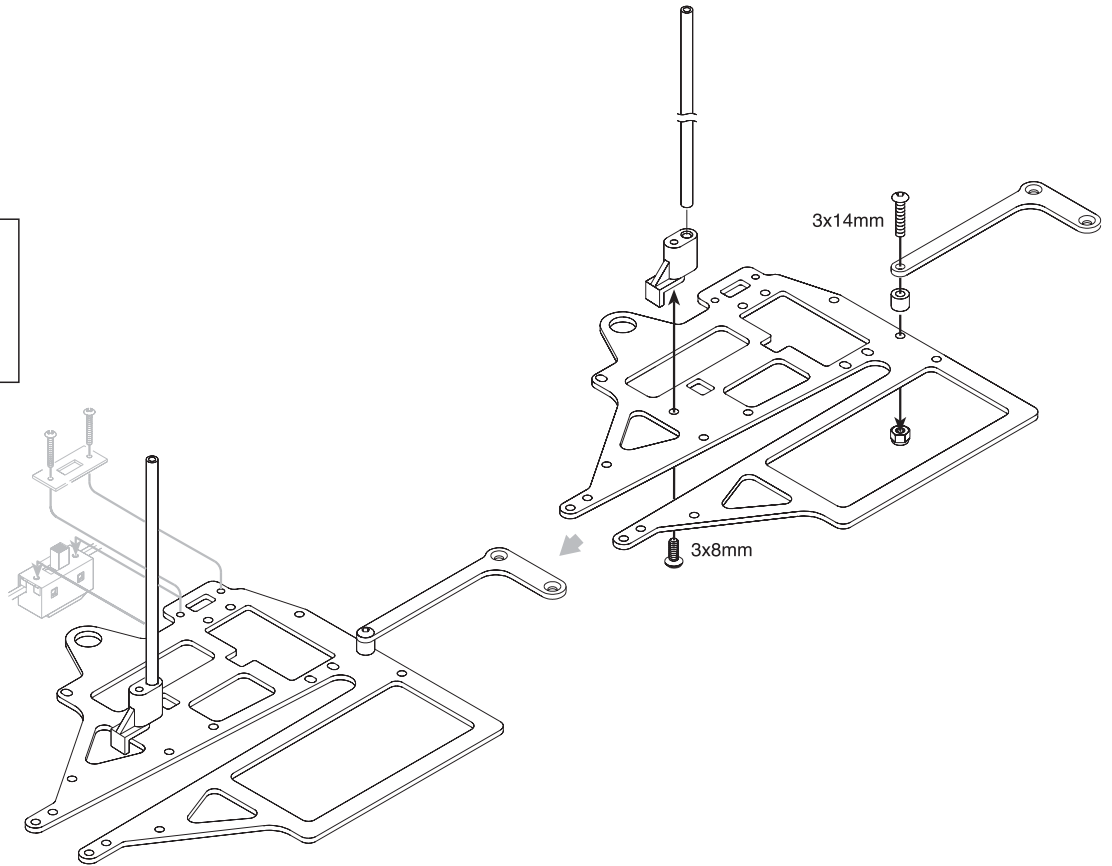
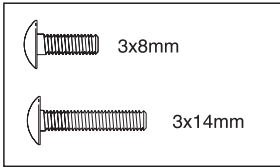
**GEAR MESH ADJUSTMENT**

Use thin paper to set proper gear mesh.

Keep drive shaft and crankshaft parallel





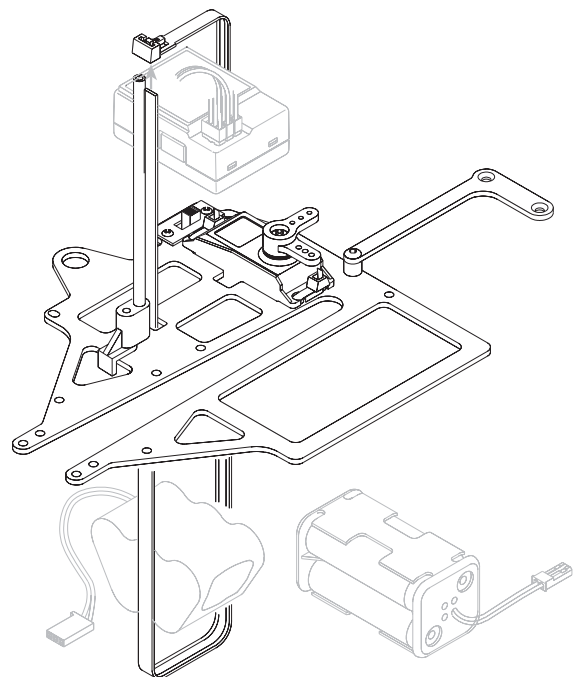
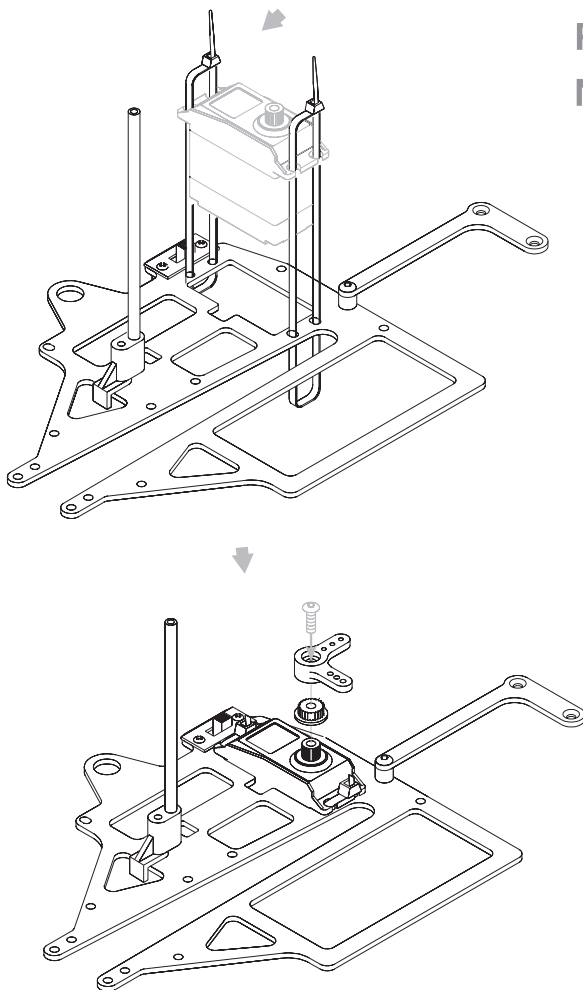


RADIO SYSTEM NOT INCLUDED

**OPTIONAL PART**

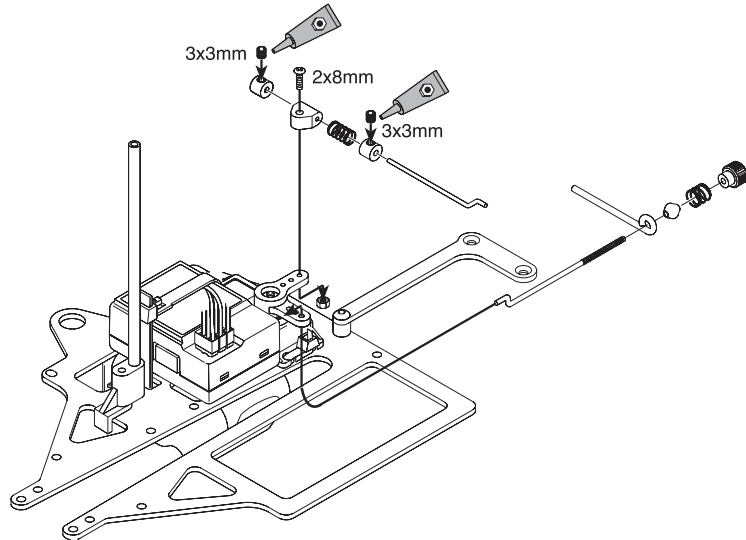


- PD1301 ALUMINUM NUT, M3 BLUE
- PD1302 ALUMINUM NUT, M3 RED
- PD1303 ALUMINUM NUT, M3 PURPLE

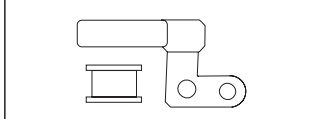




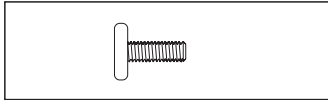
- 3x3mm
- 3x6mm
- 2x8mm
- 3x8mm
- 3x20mm



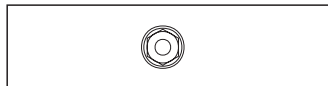
**OPTIONAL PART**



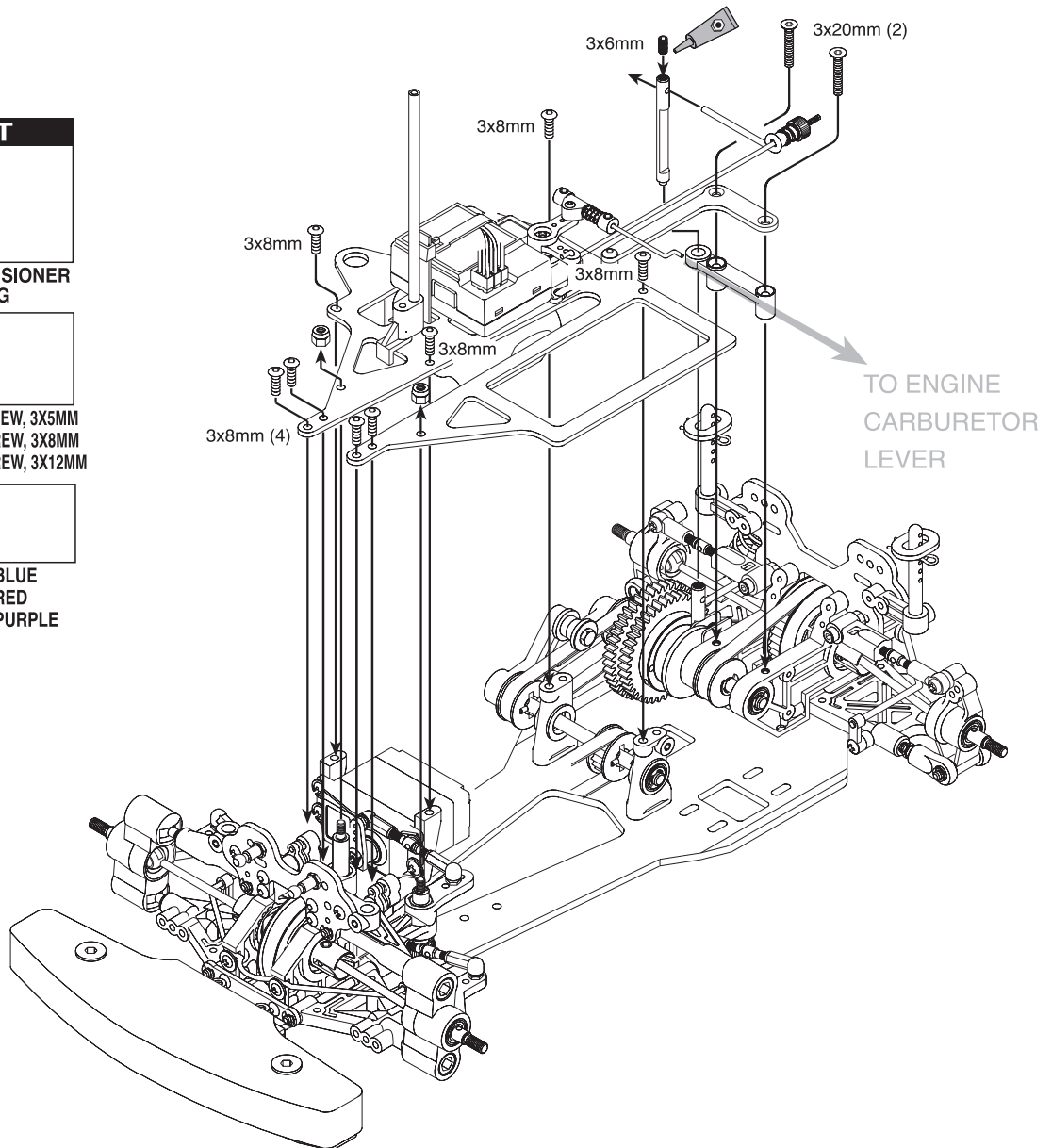
**PD1296 FRONT BELT TENSIONER W/ BALL BEARING**

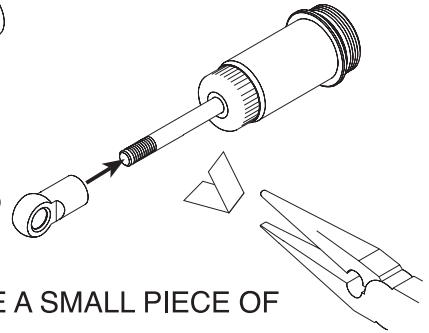
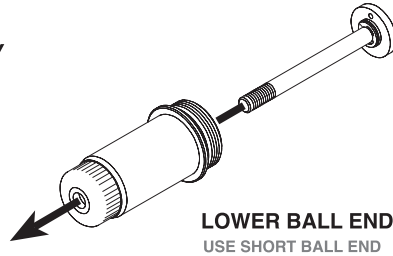
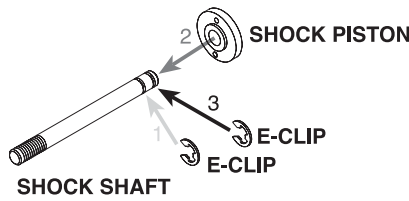
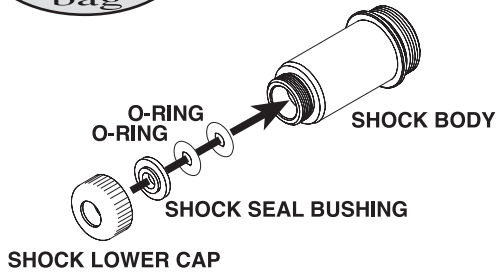
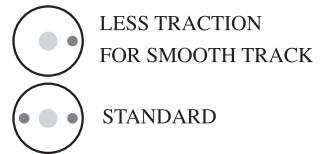




**PD1195 FLAT HEAD SOCKET SCREW, 3X5MM**  
**PD0895 FLAT HEAD SOCKET SCREW, 3X8MM**  
**PD0779 FLAT HEAD SOCKET SCREW, 3X12MM**

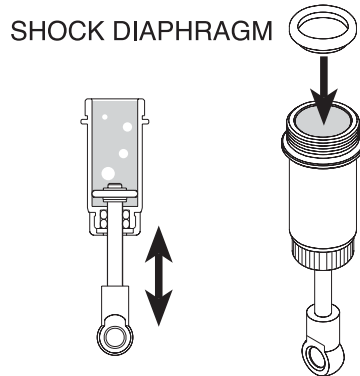
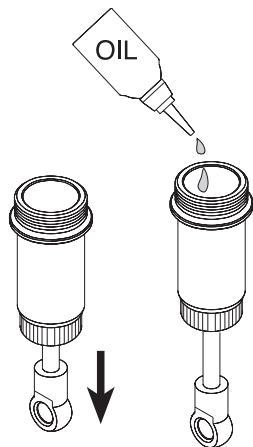
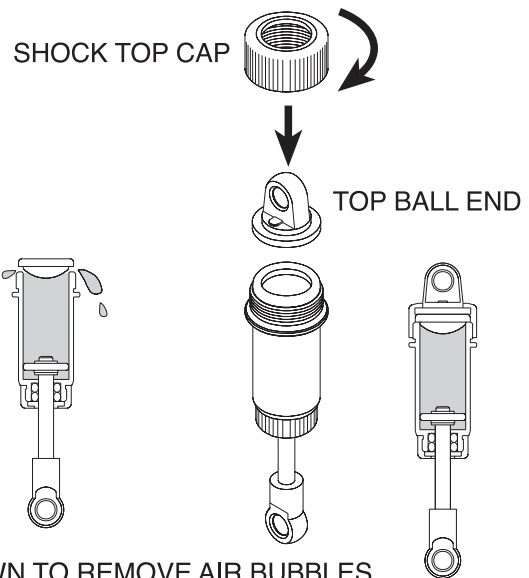


**PD1301 ALUMINUM NUT, M3 BLUE**  
**PD1302 ALUMINUM NUT, M3 RED**  
**PD1303 ALUMINUM NUT, M3 PURPLE**





<h1>FRONT</h1>  <p>STANDARD 450 SOFTER 500 550 HARDER</p>	<h1>REAR</h1>  <p>STANDARD 400 SOFTER 450 500 HARDER</p>
--	---



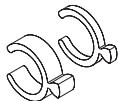
MOVE SHOCK PISTON UP AND DOWN TO REMOVE AIR BUBBLES  
PLACEMENT OF SHOCK DIAPHRAGM REMOVES EXCESS OIL

**FRONT**



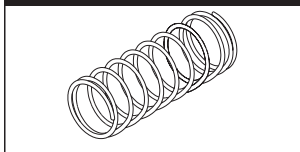
LESS STEERING, MORE CLIP  
STANDARD, NO CLIP

**REAR**

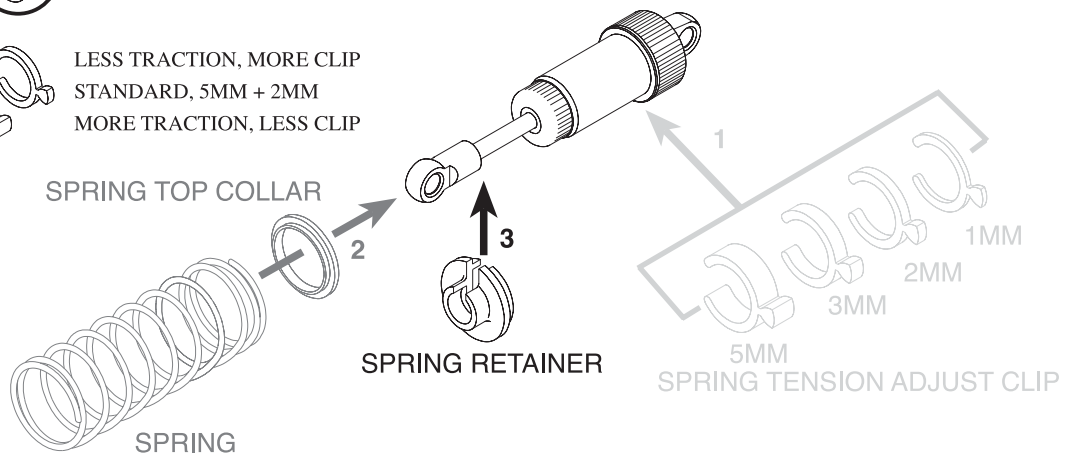


LESS TRACTION, MORE CLIP  
STANDARD, 5MM + 2MM  
MORE TRACTION, LESS CLIP

**OPTIONAL PART**



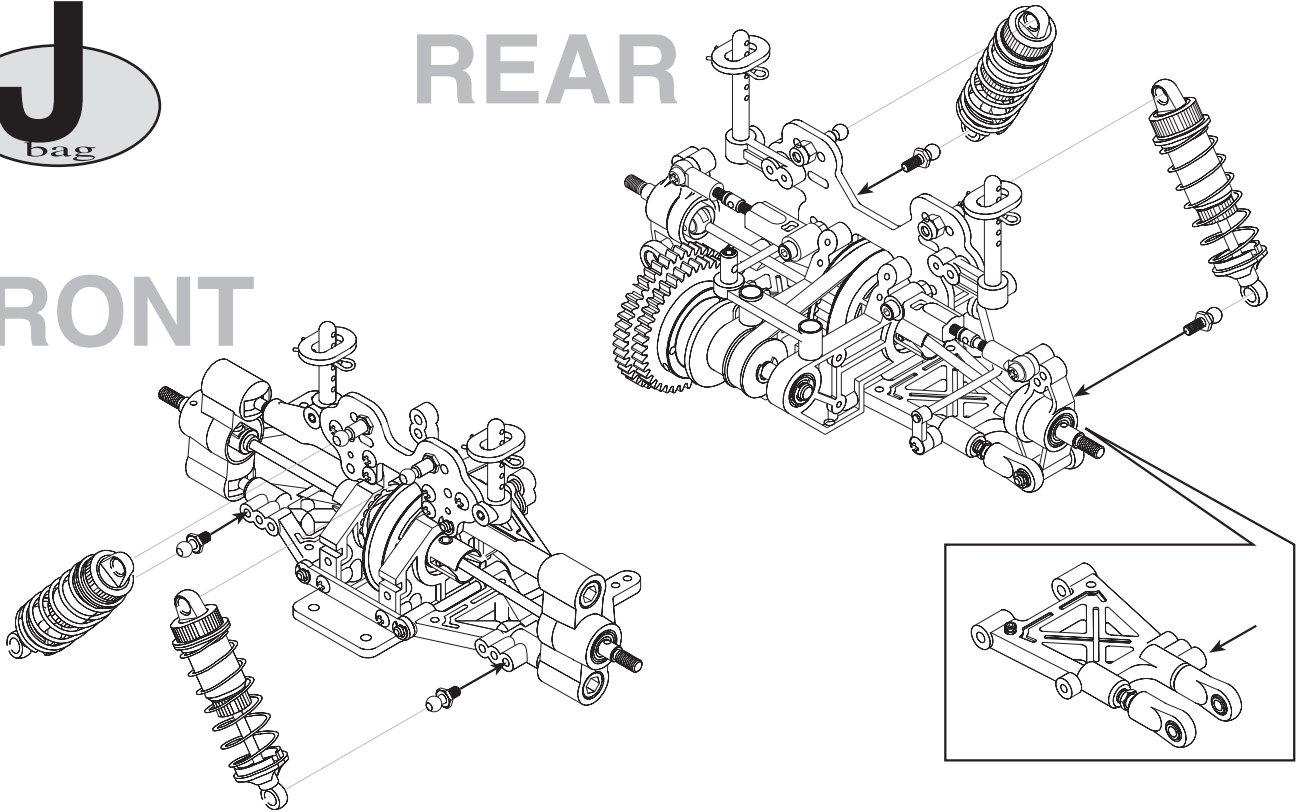
- PD0925 1/10 TOURING SPRING, 1.4MM WHT
- PD0926 1/10 TOURING SPRING, 1.5MM YEL
- PD0860 1/10 TOURING SPRING, 1.6MM BLU



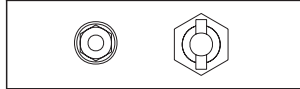


REAR

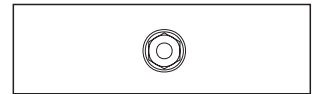
FRONT



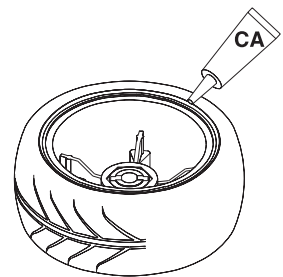
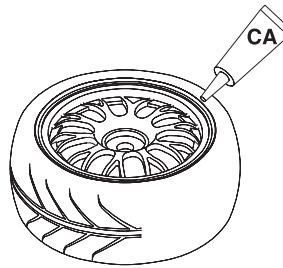
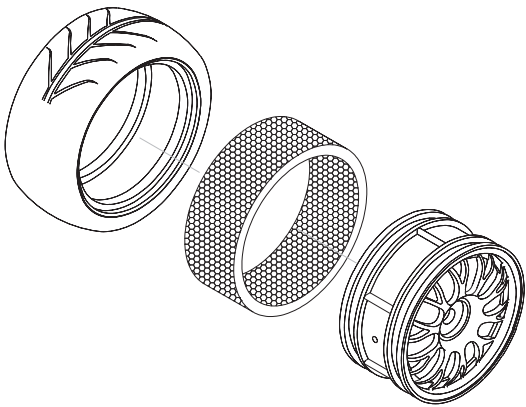
OPTIONAL PART



PD0984 LIGHT WEIGHT HEX WHEEL ADAPTER / NUT

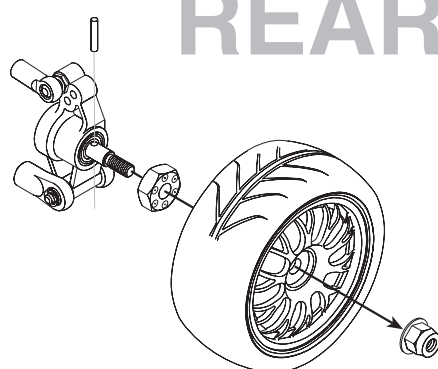
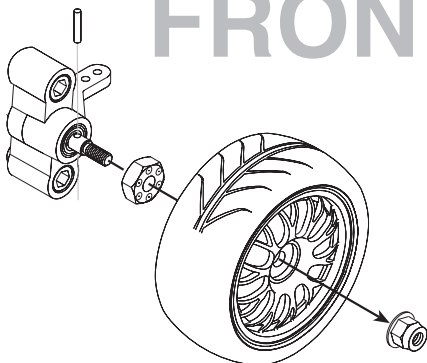


PD1304 ALUMINUM NUT, M4 BLUE  
 PD1305 ALUMINUM NUT, M4 RED  
 PD1306 ALUMINUM NUT, M4 PURPLE



FRONT

REAR



# SET-UP

## FRONT

FOURTH HOLE FROM THE FRONT

TIGHTEN BELT

STIFFER SUSPENSION, MORE STEERING

STANDARD

STIFFER SUSPENSION, MORE STEERING

STANDARD

STANDARD (3MM) MORE NARROW, MORE STEERING WIDER, LESS STEERING

STANDARD MORE STEERING LESS STEERING

STANDARD MORE STEERING

STANDARD

LESS STEERING FOR SMOOTH TRACK

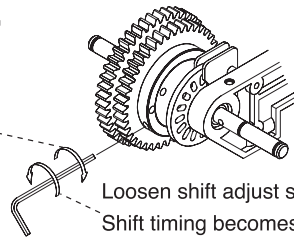
STANDARD

LESS STEERING, MORE CLIP STANDARD, NO CLIP

<b>CAMBER</b>	-2° More -, more steering More +, less steering
<b>CASTER</b>	16° (max caster, all clips forward) More +, slow steering / fast exit More -, quick steering / slow exit
<b>TOE</b>	-1° Toe-in, more straight Toe-out, quick steering
<b>RIDE HEIGHT</b>	5mm (floor to chassis) Lower on smooth track surface

## 2-SPEED SHIFT POINT ADJUSTMENT

Tighten shift adjust set screw  
Shift timing becomes slower  
Shifts at higher RPM



Loosen shift adjust set screw.  
Shift timing becomes quicker. Shifts at lower RPM

## REAR

FOURTH HOLE FROM THE REAR

TIGHTEN BELT

LOOSEN BELT

500 MORE TRACTION (OR USE GREASE)

1000 STANDARD

3000 LESS TRACTION

LESS CAMBER CHANGE WITH SUSPENSION TRAVEL FOR TRACK WITH SHARP LOW SPEED TURNS

STANDARD

STIFFER SUSPENSION, LESS TRACTION

STANDARD

STIFFER SUSPENSION, MORE TRACTION

STANDARD

STIFFER SUSPENSION, MORE TRACTION

STANDARD

LESS CORNER TRACTION MORE STRAIGHT TRACTION

MORE CORNER TRACTION LESS STRAIGHT TRACTION

STANDARD

LESS TRACTION FOR SMOOTH TRACK

STANDARD

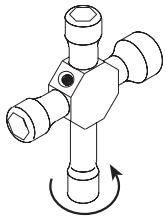
LESS TRACTION, MORE CLIP STANDARD, 5MM + 2MM MORE TRACTION, LESS CLIP

<b>CAMBER</b>	-2° More -, less traction More +, more traction
<b>TOE</b>	-2° More -, more traction / less speed More +, less traction / more speed
<b>RIDE HEIGHT</b>	6.5mm (floor to chassis) Lower on smooth track surface



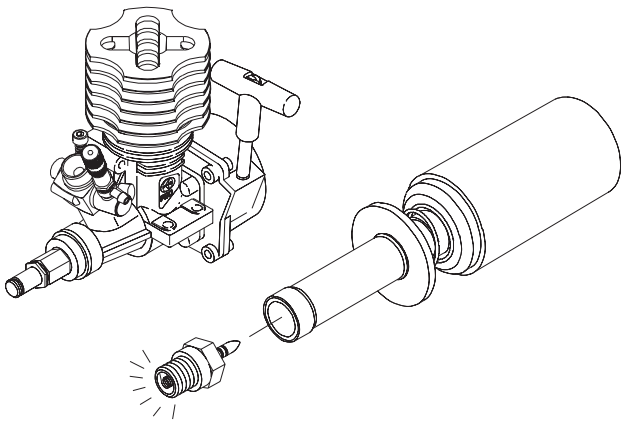
# ENGINE BASICS

1. Remove glow plug and check glow starter / glow plug.

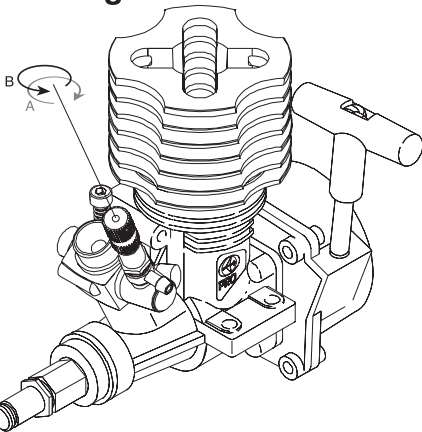


If glow plug glows dimly, recharge the glow starter.

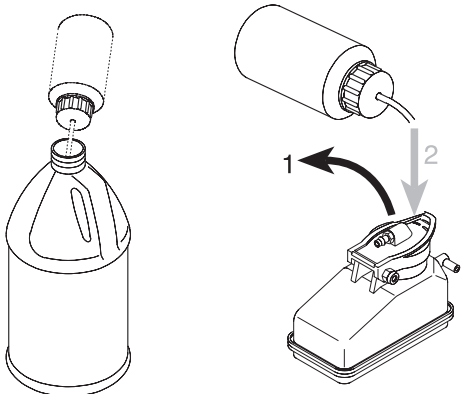
If glow plug does not glow, replace with new one.



2. Close carburetor high speed needle (A). Then, open carburetor high speed needle (B). **Please consult engine manual for proper carburetor setting.**

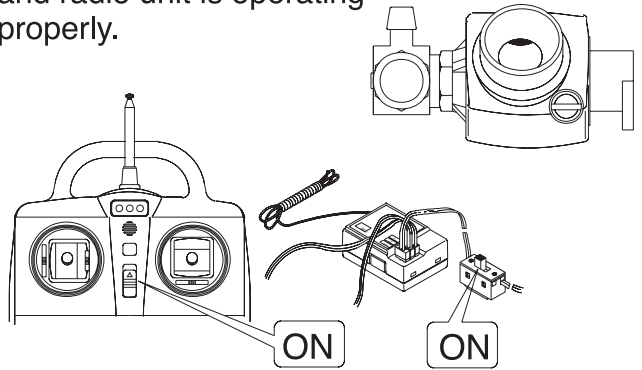


3. Fill fuel tank with model engine fuel.

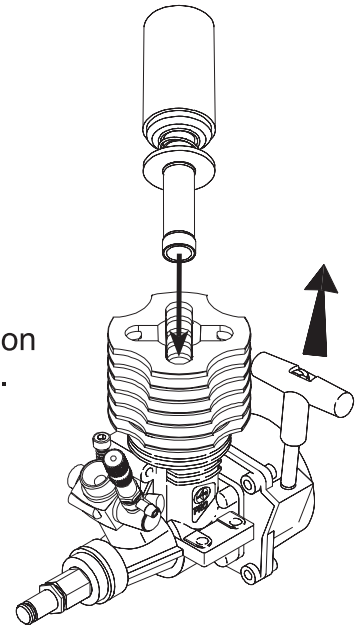


4. Turn radio unit on, transmitter first, then the receiver (when off, turn receiver off first, then transmitter off).

Make sure carburetor is closed (at neutral / idle) and radio unit is operating properly.



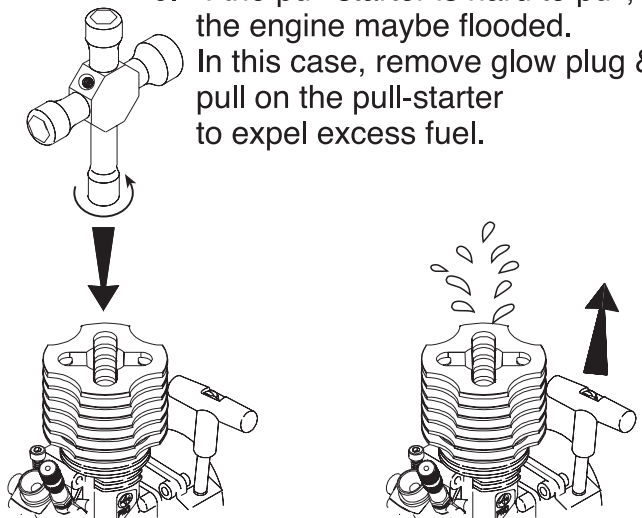
5. Prime the engine until fuel reaches engine carburetor.



Place glow starter on engine's glow plug.

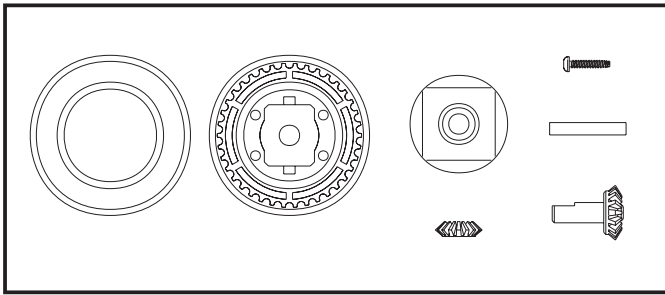
Pull on engine's pull-starter to start engine.

6. If the pull-starter is hard to pull, the engine maybe flooded. In this case, remove glow plug & pull on the pull-starter to expel excess fuel.

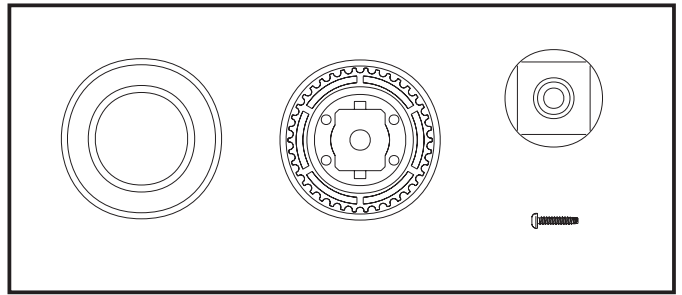




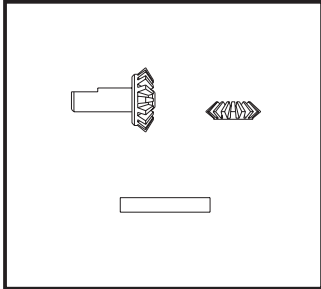
# PART LIST



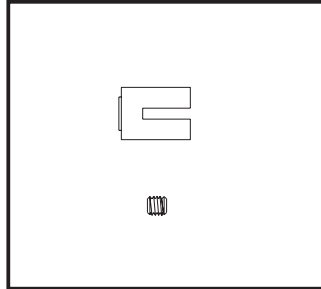
PD0801 DIFFERENTIAL SET



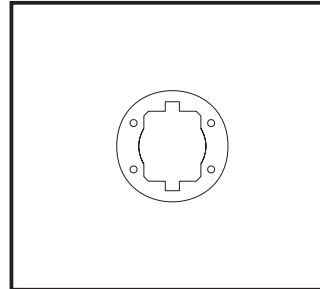
PD0802 DIFFERENTIAL PULLEY / CASE



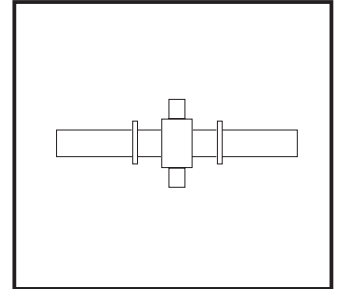
PD0803 DIFFERENTIAL GEAR



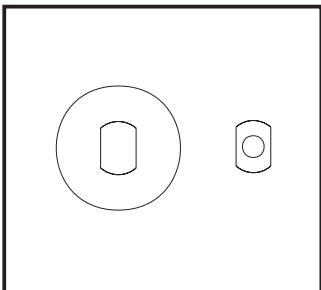
PD0804 DRIVE CUP



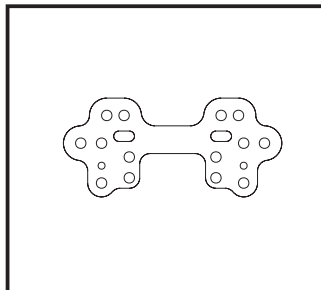
PD1010 DIFF GASKET



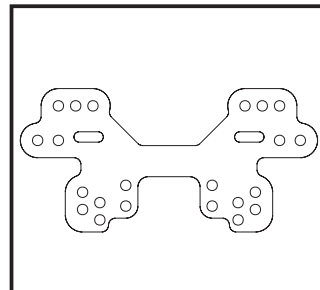
PD1308 DIFF RIGID AXLE



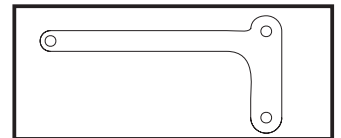
PD1307 FIBER BRAKE DISC



PD0919 CARBON FIBER FRONT SHOCK TOWER



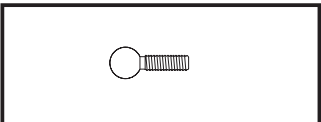
PD0920 CARBON FIBER REAR SHOCK TOWER



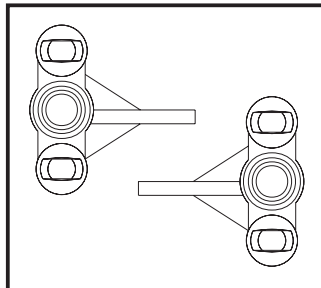
PD0921 CARBON FIBER REAR SUPPORT PLATE



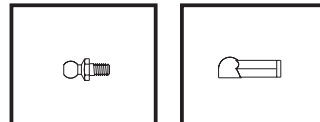
PD1046 RR SUPPORT BUSHING



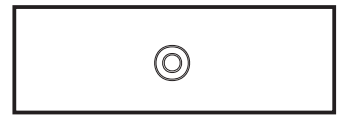
PD0810 ADJUST BALL, 8MM



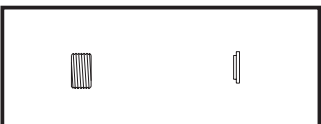
PD0814 FR KNUCKLE



PD0811 BALL JOINT  
PD0813 BALL END



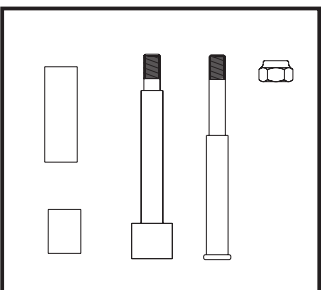
PD0934 BALL BEARING, 3 X 8 X 4 MM  
PD0873 BALL BEARING, 4 X 8 X 3MM  
PD1002 BALL BEARING, 5 X 8 X 2.5 MM  
PD0935 BALL BEARING, 5 X 10 X 4 MM  
PD0875 BALL BEARING, 5 X 11 X 4MM  
PD0936 BALL BEARING, 6 X 12 X 4 MM  
PD0876 BALL BEARING, 8 X 14 X 4MM



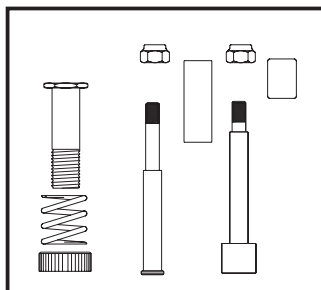
PD0812 ADJUST NUT



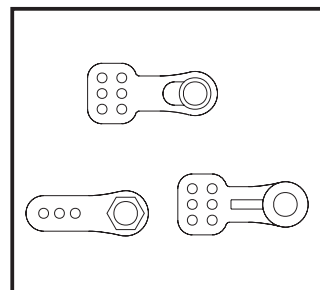
PD1034 STEERING LINKAGE



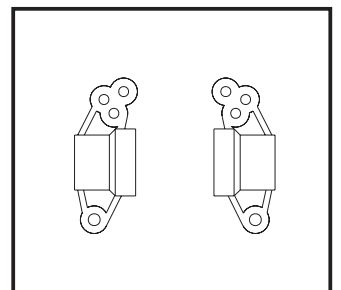
PD1021 RIGID STEERING POST



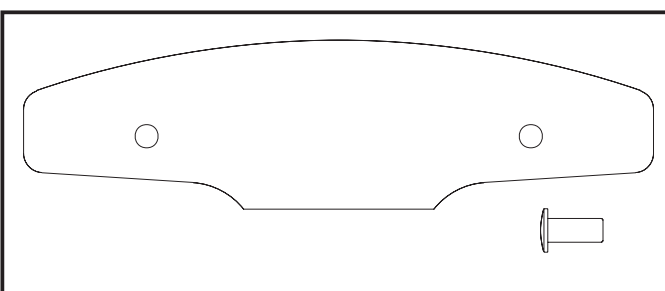
PD1174 SERVO SAVER METAL PARTS



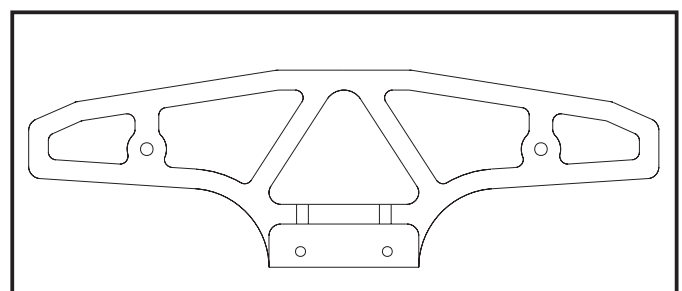
PD0807 SERVO SAVER ARM



PD0818 RR HUB CARRIER

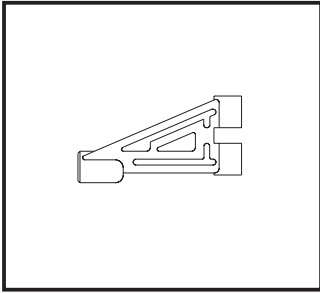


PD0820 FOAM BUMPER

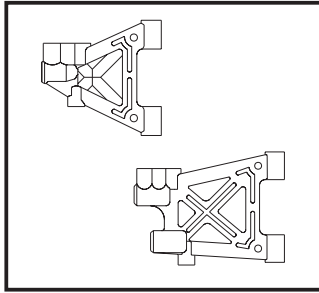


PD0821 BUMPER

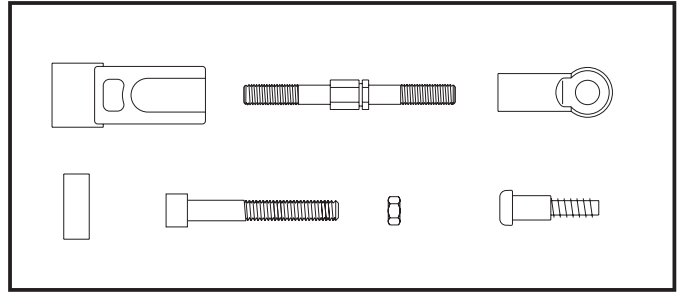
# PART LIST



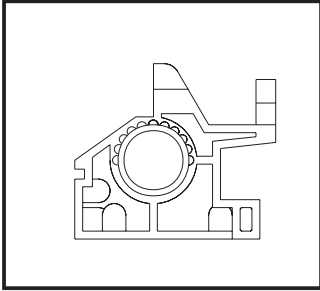
PD0822 FR UPPER ARM



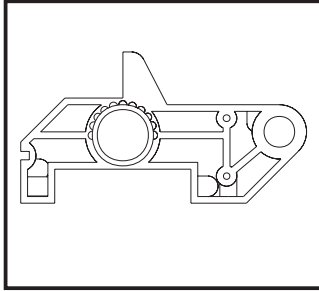
PD0823 LOWER SUSP ARM



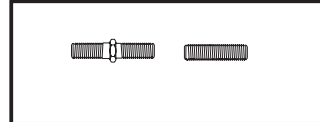
PD1327 REAR UPPER ARM SET



PD0826 FR BULKHEAD



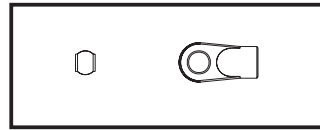
PD0831 RR BULKHEAD



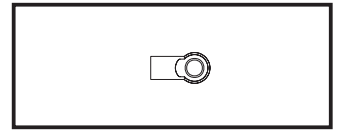
PD0824 RR HUB TIE ROD



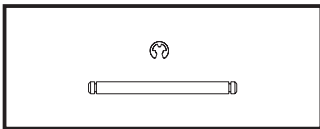
PD0829 TIE ROD



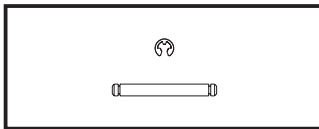
PD0825 RR HUB TIE END



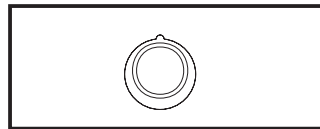
PD0830 TIE END



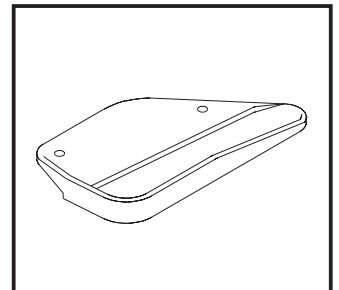
PD0835 FR UPPER PIN



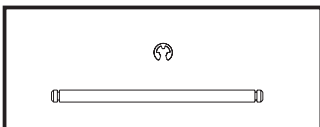
PD0838 RR HUB PIN



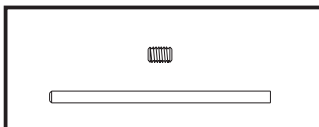
PD0827 DIFF CAM



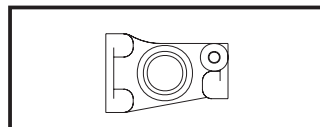
PD1341 FUEL TANK  
BOTTOM PROTECT



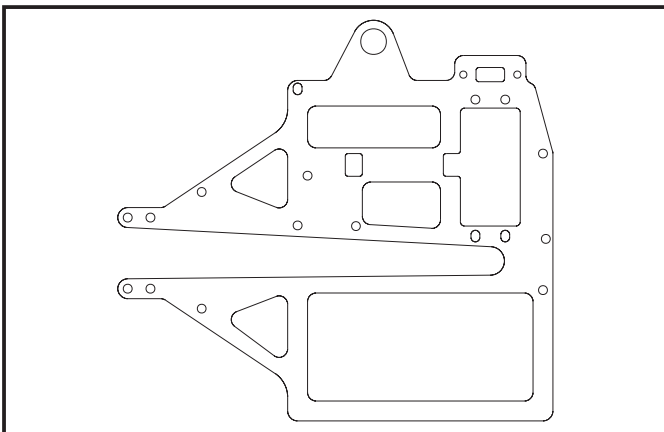
PD0836 FR LOWER PIN



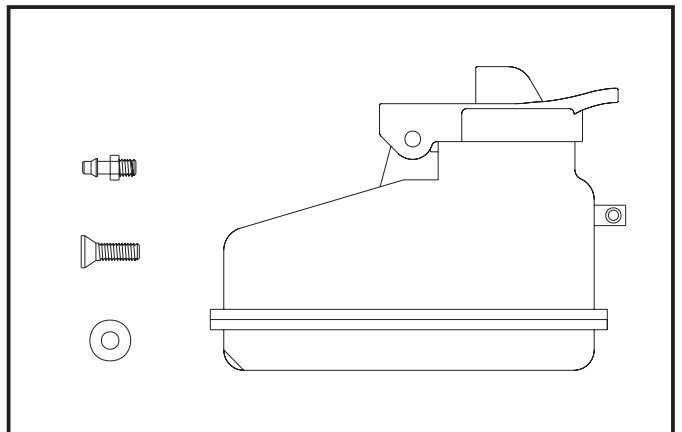
PD0837 RR LOWER PIN



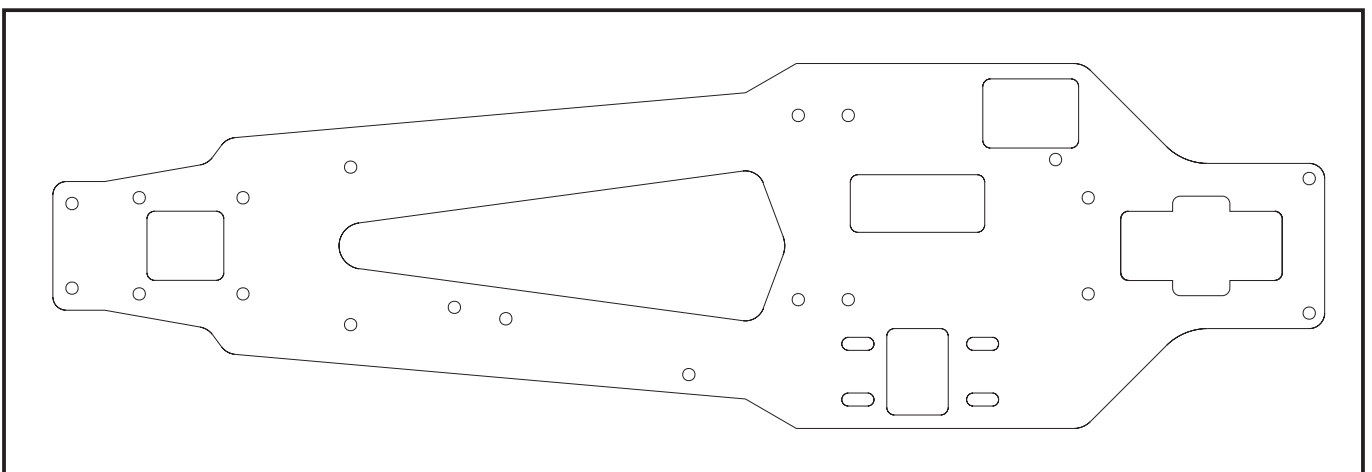
PD0828 CTR AXLE SUPPORT



PD0918 CARBON FIBER RADIO PLATE

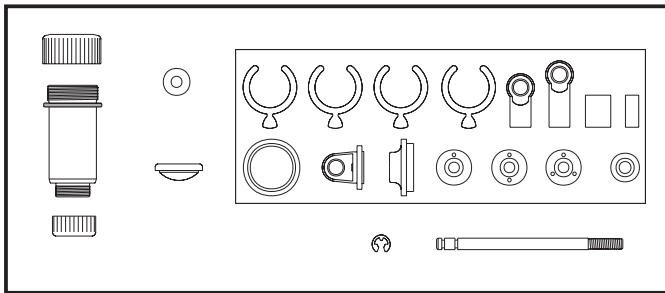


PD0833 FUEL TANK, 75 cc

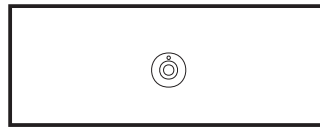


PD0917 ERGAL COMPETITION 3MM CHASSIS

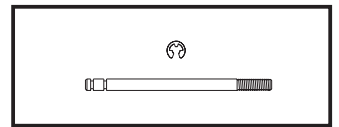
# PART LIST



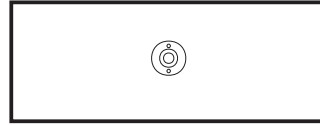
PD0858 1/10 TOURING SHOCK SET



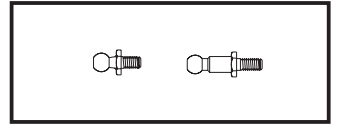
PD0923 TEFLON SHOCK PISTON, 1 HOLE



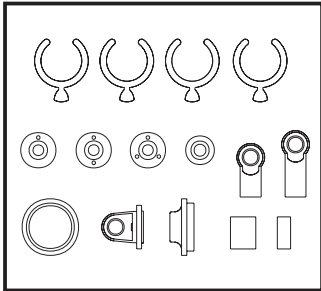
PD0867 1/10 TOURING SHOCK SHAFT



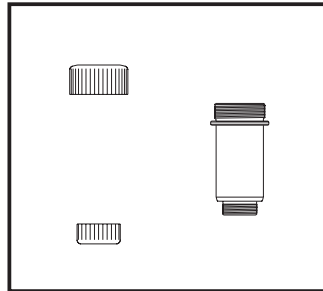
PD0924 TEFLON SHOCK PISTON, 2 HOLE



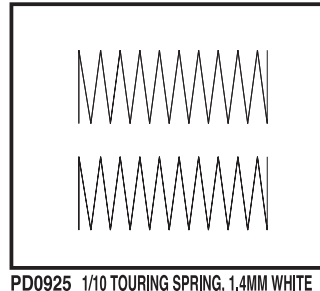
PD0865 SHOCK BALL JOINT



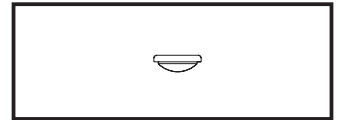
PD0863 1/10 TOURING SHOCK PLASTIC PART



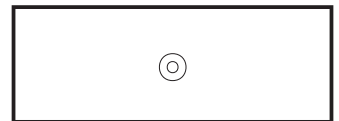
PD0864 1/10 TOURING SHOCK BODY



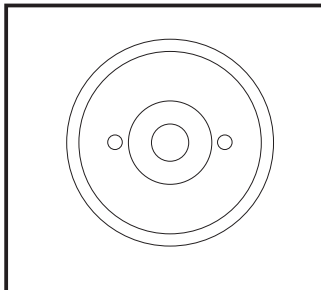
PD0925 1/10 TOURING SPRING, 1.4MM WHITE  
 PD0926 1/10 TOURING SPRING, 1.5MM YELLOW  
 PD0860 1/10 TOURING SPRING, 1.6MM BLUE



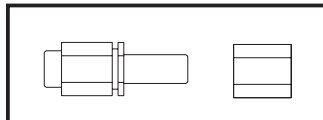
PD0861 1/10 SILICONE DIAPHRAGM



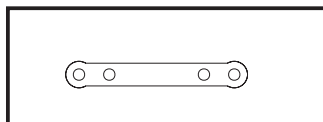
PD0862 1/10 SILICONE O-RING



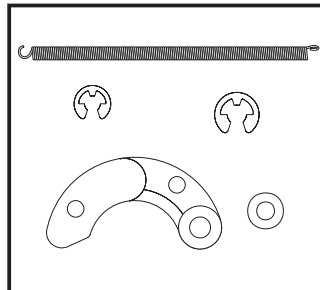
PD1048 1/10 FLYWHEEL



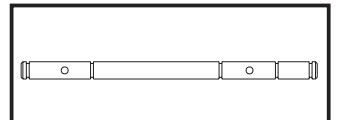
PD1025 1/10 SG SHAFT ADAPTER



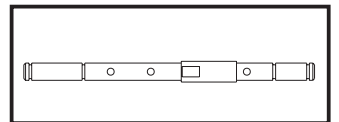
PD1054 FR PLATE FR TRANS



PD1003 1/10 CLUTCH SPR/SHOE



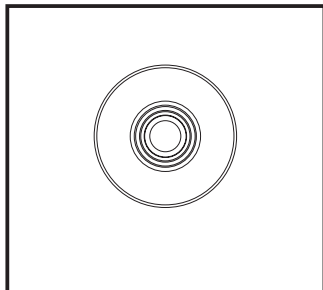
PD0899 2-SPEED DRIVE SHAFT, FRONT



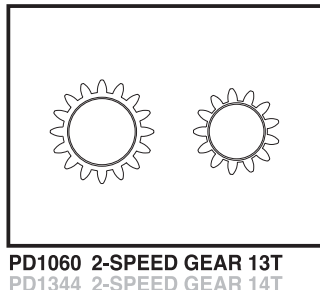
PD0900 2-SPEED DRIVE SHAFT, REAR



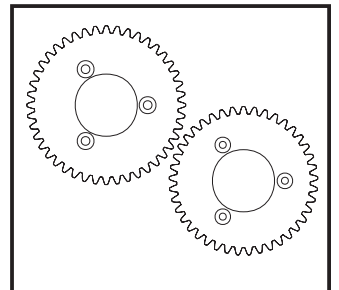
PD1057 WASHER 5x10x0.2MM  
 PD1058 WASHER 5.5x11x0.2MM



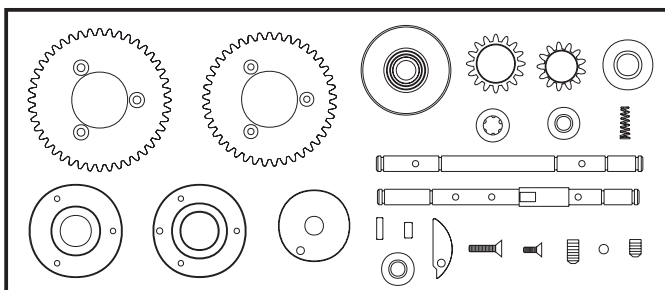
PD1059 2-SPEED, CLUTCH BELL



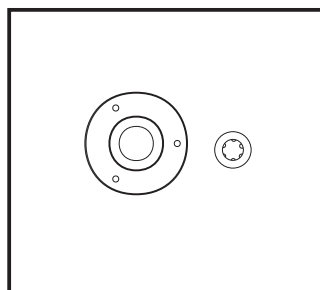
PD1060 2-SPEED GEAR 13T  
 PD1344 2-SPEED GEAR 14T  
 PD1345 2-SPEED GEAR 16T  
 PD1346 2-SPEED GEAR 17T



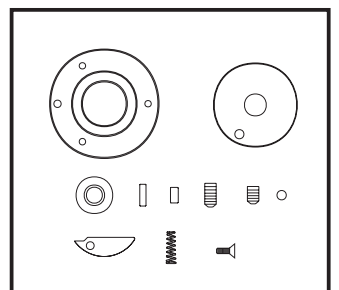
PD0897 2-SPEED MAIN GEAR, 41T / 44T



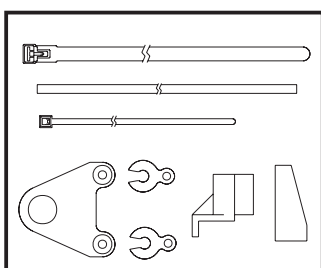
PD0896 2-SPEED, CLOSE-RATIO TRANSMISSION



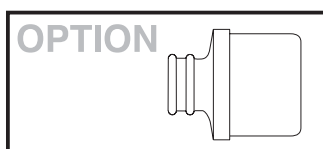
PD0990 2-SPEED ONE-WAY HUB



PD0991 2-SPEED CLUTCH HUB, HARDWARE



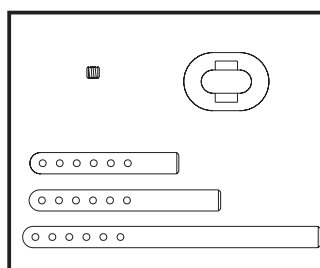
PD0868 INSTALLATION ACCESSORY



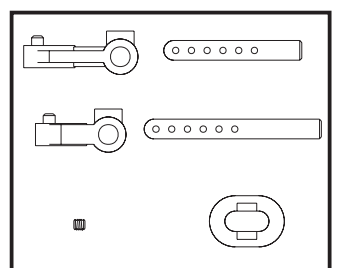
PD1212 AIR FILTER, 11MM  
 PD1225 AIR FILTER, 16MM



PD0866 BODY CLIP

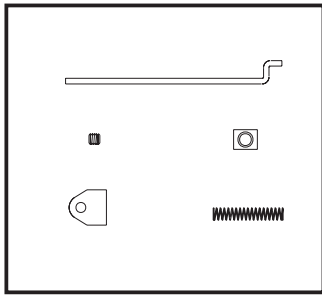


PD0959 BODY POST SET

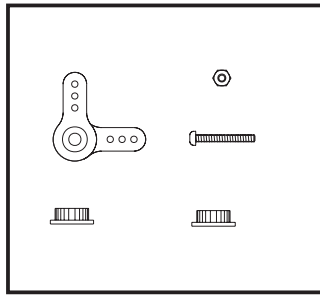


PD0870 BODY MOUNT SET

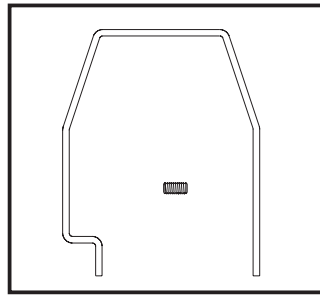
# PART LIST



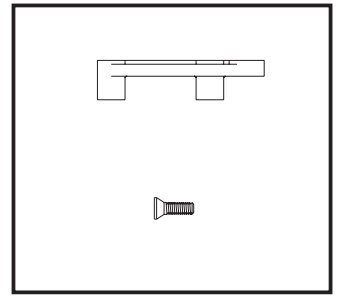
PD0839 TH LINKAGE SET



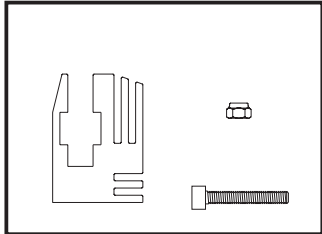
PD0840 TH SERVO ARM



PD0841 ROLL BAR

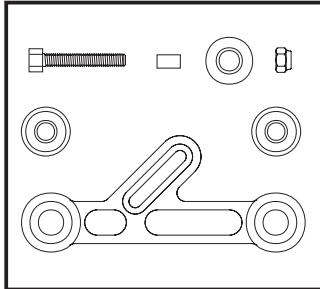


PD0847 BRAKE SUPPORT

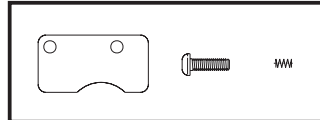


PD0894 ALUMINUM, HEAT-SINK  
ENGINE MOUNT, NPS

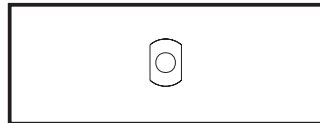
PD1047 ALUMINUM, HEAT-SINK  
ENGINE MOUNT, PULL START



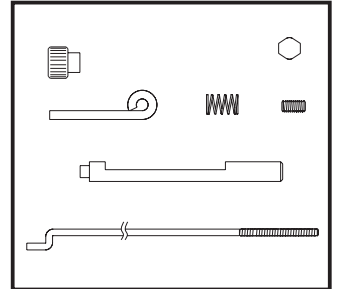
PD0912 CENTER BELT TENSIONER  
W/ BALL BEARING



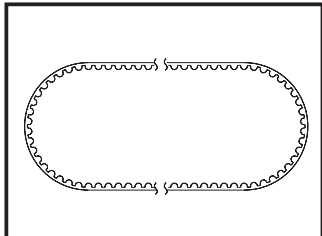
PD1033 BRAKE PAD



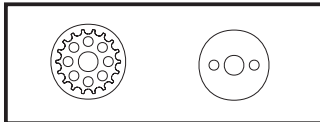
PD1032 BRAKE DISC HOLDER



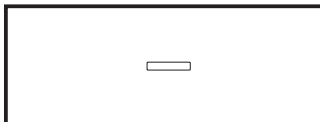
PD0846 BRAKE CAM



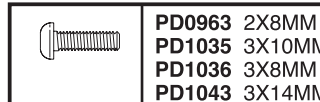
PD1300 BONDO BELT, 417T FR  
PD1298 BONDO BELT, 162T CTR  
PD1299 BONDO BELT, 177T RR



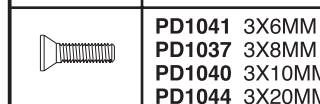
PD0848 DRIVE PULLEY



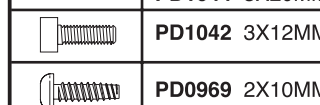
PD0849 DRIVE PIN



PD0963 2X8MM  
PD1035 3X10MM  
PD1036 3X8MM  
PD1043 3X14MM



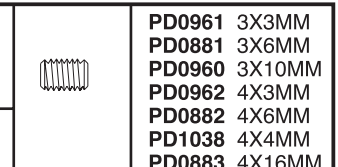
PD1041 3X6MM  
PD1037 3X8MM  
PD1040 3X10MM  
PD1044 3X20MM



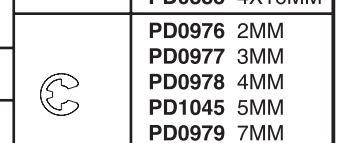
PD1042 3X12MM



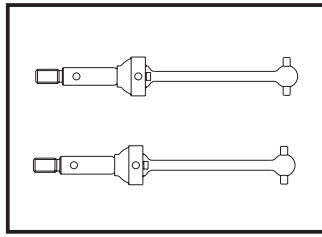
PD0969 2X10MM



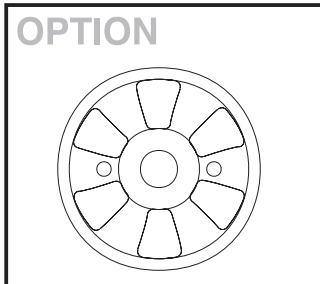
PD0961 3X3MM  
PD0881 3X6MM  
PD0960 3X10MM  
PD0962 4X3MM  
PD0882 4X6MM  
PD1038 4X4MM  
PD0883 4X16MM



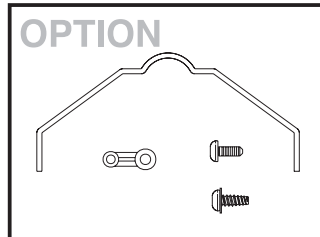
PD0976 2MM  
PD0977 3MM  
PD0978 4MM  
PD1045 5MM  
PD0979 7MM



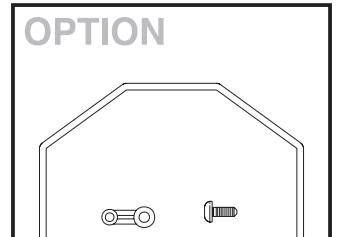
PD1325 UNIVERSAL SHAFT, FR  
PD1326 UNIVERSAL SHAFT, RR



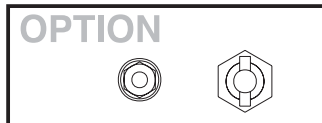
PD0927 1/10 FLYWHEEL, TYPE A



PD0993 FR SWAY BAR, 1.8MM ORANGE  
PD0994 FR SWAY BAR, 2.0MM RED  
PD0995 FR SWAY BAR, 2.2MM GREEN  
PD0907 FR SWAY BAR, 2.4MM PURPLE



PD0908 RR SWAY BAR, 2.2MM GREEN  
PD0909 RR SWAY BAR, 2.4MM PURPLE

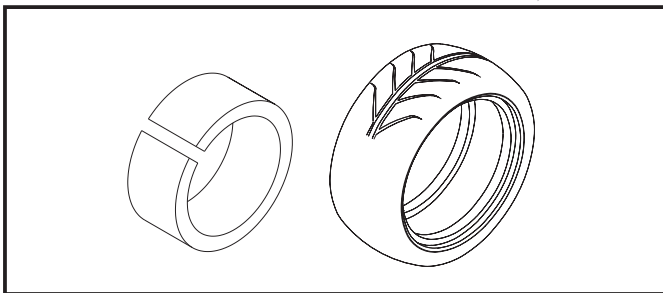


PD0984 LIGHT WEIGHT HEX WHEEL  
ADAPTER / NUT

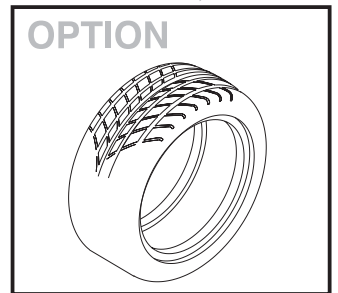


PD1301 ALUMINUM NUT, M3 BLUE  
PD1302 ALUMINUM NUT, M3 RED  
PD1303 ALUMINUM NUT, M3 PURPLE

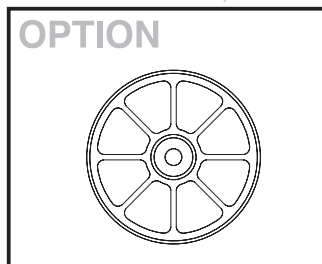
PD1304 ALUMINUM NUT, M4 BLUE  
PD1305 ALUMINUM NUT, M4 RED  
PD1306 ALUMINUM NUT, M4 PURPLE



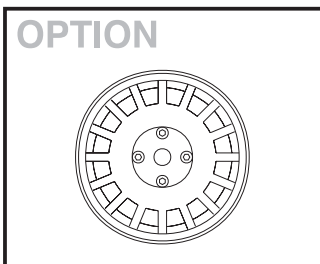
PD1183 1/10 V-TOURING TIRE W / FOAM, 24MM  
PD0842 1/10 V-TOURING TIRE W / FOAM, 26MM



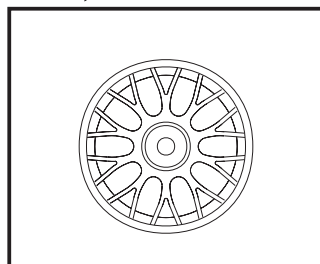
PD1056 1/10 RALLY TIRE, 26MM



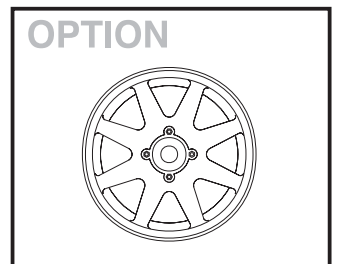
PD1184 1/10 8-SPK LT WHEEL,  
24MM WHITE



PD1133 1/10 OZ WHEEL, 26MM WHITE



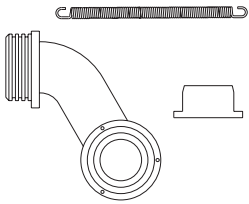
PD1011 1/10 BBS WHEEL, 26MM WHITE  
PD0855 1/10 BBS WHEEL, 26MM SILVER



PD0639 1/10 8-SPK WHEEL, 26MM WHITE  
PD0635 1/10 8-SPK WHEEL, 26MM GOLD

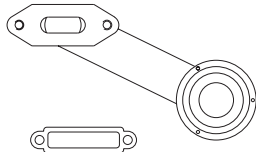
# PART LIST

OPTION



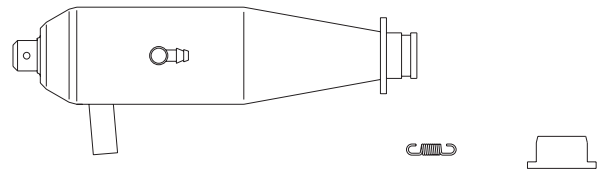
PD1136 REAR EXHAUST MANIFOLD

OPTION



PD1135 SIDE EXHAUST MANIFOLD

OPTION



PD1134 TUNED PIPE

OPTION



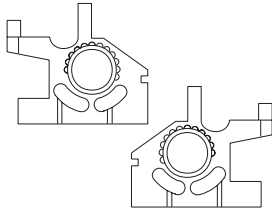
PD0931 1/10 EXHAUST COUPLER, C1A

OPTION



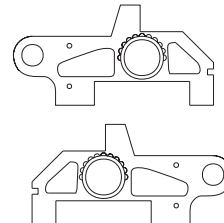
PD0932 1/10 EXHAUST SPRING, C1A

OPTION



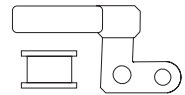
PD1291 ALUM FR BULHEAD

OPTION



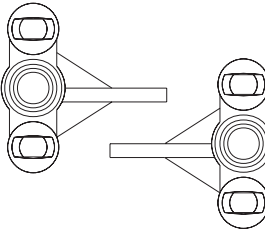
PD1292 ALUM RR BULHEAD

OPTION



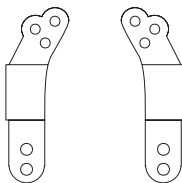
PD1296 FRONT BELT TENSIONER W/ BALL BEARING

OPTION



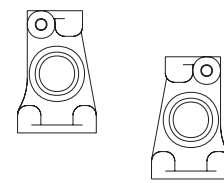
PD1312 ALUM FR KNUCKLE

OPTION



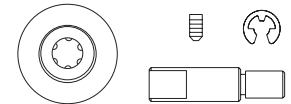
PD1287 ALUM RR HUB CARRIER

OPTION



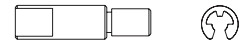
PD1293 ALUM CENTER AXLE SUPPORT

OPTION



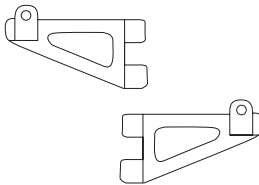
PD0910 FRONT ONE-WAY DIFFERENTIAL

OPTION



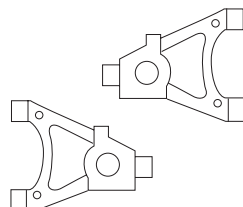
PD0911 FRONT ONE-WAY SHAFT

OPTION



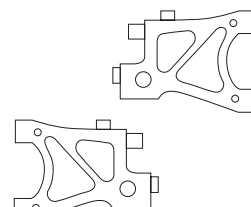
PD1290 ALUM FR UPPER ARM

OPTION



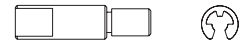
PD1289 ALUM FR LOWER ARM

OPTION



PD1288 ALUM RR LOWER ARM

OPTION

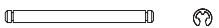


OPTION



PD1195 FLAT HEAD SOCKET SCREW, 3X5MM  
PD0895 FLAT HEAD SOCKET SCREW, 3X8MM  
PD0779 FLAT HEAD SOCKET SCREW, 3X12MM

OPTION



PD1334 CARBIDE FR UPPER PIN

OPTION



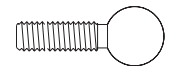
PD1336 CARBIDE RR HUB PIN

OPTION



PD0915 TITANIUM TURNBUCKLE, 3X28MM

OPTION



PD0913 TITANIUM ADJUST BALL, 8MM

OPTION



PD1335 CARBIDE FR LOWER PIN

OPTION



PD1337 CARBIDE RR LOWER PIN

OPTION



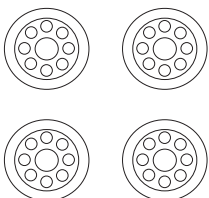
PD0916 TITANIUM TURNBUCKLE, 3X33MM

OPTION



PD0914 TITANIUM TURNBUCKLE, 4X21MM

OPTION



PD1328 ALUM DRIVE PULLEY, 18T